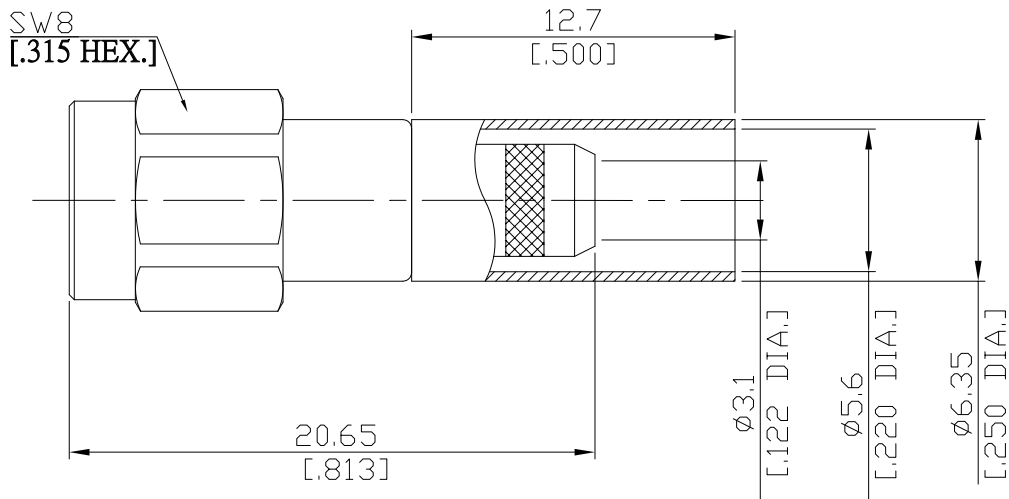


SMA(Male) Straight Cable Plug

SMA1C50-G142C/144



All dimensions are in mm [inch]
Tolerances according to DIN ISO 2768-mH

Interface

According to IEC 60169-15; MIL-STD-348A/310

Electrical Data

Impedance 50 Ω
Frequency DC to 6 GHz
VSWR (Return Loss) ≤ 1.20 (≥ 20.83 dB), DC to 5 GHz
Insertion Loss ≤ 0.04 × √F [GHz] dB, DC to 5 GHz

- Limitations are possible due to the used cable type and manufacturing process -

Mechanical Data

Coupling mechanisms Screw-lock
Centre contact Soldered or Crimped
Cable entry Crimped

Environmental Data

Temperature range -65°C to +165°C
RoHS compliant

Material And Plating

Connector parts	Material	Plating
Centre contact	Brass	Gold plating(Nickel underplated)
Body	Brass	Copper-Tin-Zinc Alloy
Insulator	PTFE	
Gasket	Silicone Rubber	
Coupling nut	Brass	Copper-Tin-Zinc Alloy
Crimp ferrules	Brass	Copper-Tin-Zinc Alloy

Suitable Cables

RG-55, RG-142, RG-223, RG-400

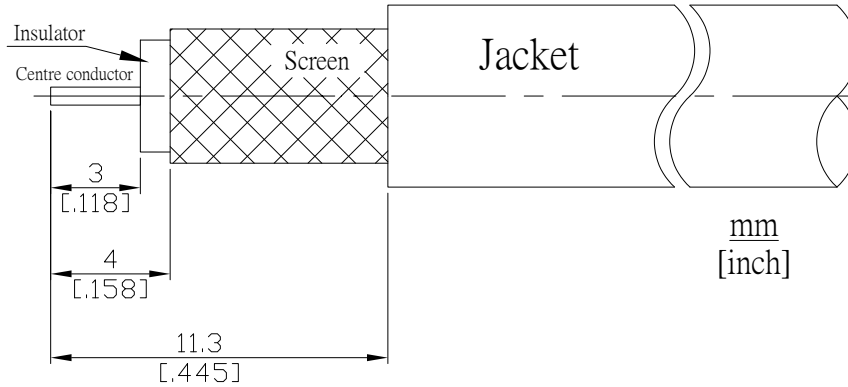
Packing

Single, 5-pack, or 100

SMA(Male) Straight Cable Plug

SMA1C50-G142C/144

Recommended Cable Stripping Dimensions



Crimp Dimensions [HEX]

Crimp ferrule	5.41 mm [.213 inch]
Centre contact	1.73 mm [.068 inch]