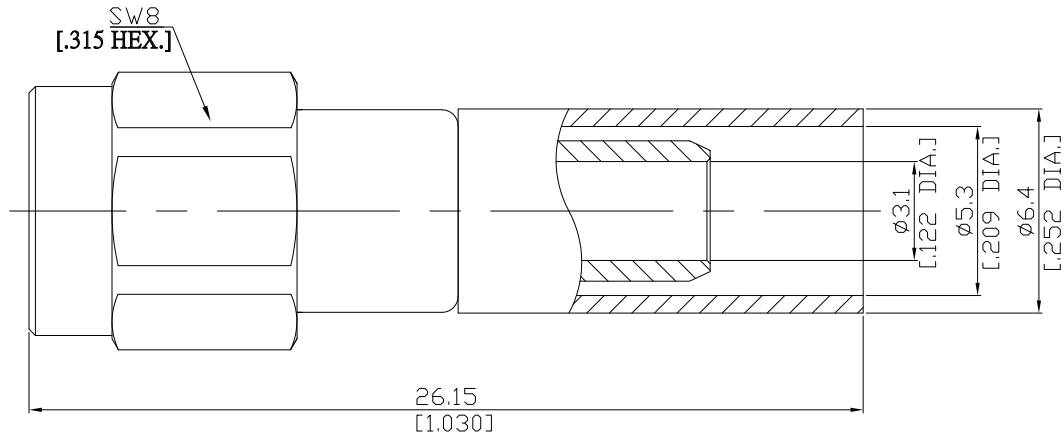


SMA Straight Cable Plug

SMA1C50-G058A/144



All dimensions are in mm [inch]
Tolerances according to DIN ISO 2768-mH

Interface

According to IEC 60169-15; MIL-C-39012; MIL-STD-348A/310

Electrical Data

Impedance 50 Ω
Frequency DC to 6 GHz
VSWR (Return Loss) ≤ 1.20 (≥ 20.83 dB), DC to 5 GHz
Insertion Loss ≤ 0.04 × √F [GHz] dB, DC to 5 GHz

- Limitations are possible due to the used cable type and manufacturing process -

Mechanical Data

Coupling mechanisms Screw-lock
Centre contact Soldered or Crimped
Cable entry Crimped

Environmental Data

Temperature range -65°C to +165°C
RoHS compliant

Material And Plating

| Connector parts | Material | Plating |
|-----------------|-----------------|----------------------------------|
| Centre contact | Brass | Gold plating(Nickel underplated) |
| Body | Brass | Copper-Tin-Zinc Alloy |
| Insulator | PTFE | |
| Gasket | Silicone Rubber | |
| Coupling nut | Brass | Copper-Tin-Zinc Alloy |
| Crimp ferrules | Brass | Copper-Tin-Zinc Alloy |

Suitable Cables

RG 58, RG 58A, RG 58C, RG 141, RG 303, BELDEN 7806A, BELDEN 9907, LMR 195, RNL-195

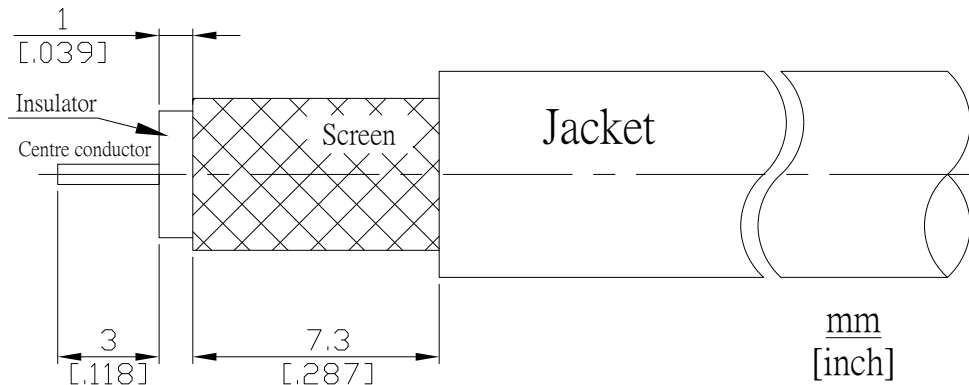
Packing

Single, 5-pack, or 100

SMA Straight Cable Plug

SMA1C50-G058A/144

Recommended Cable Stripping Dimensions



Crimp Dimensions [HEX]

| | |
|----------------|---------------------|
| Crimp ferrule | 5.41 mm [.213 inch] |
| Centre contact | 1.73 mm [.068 inch] |