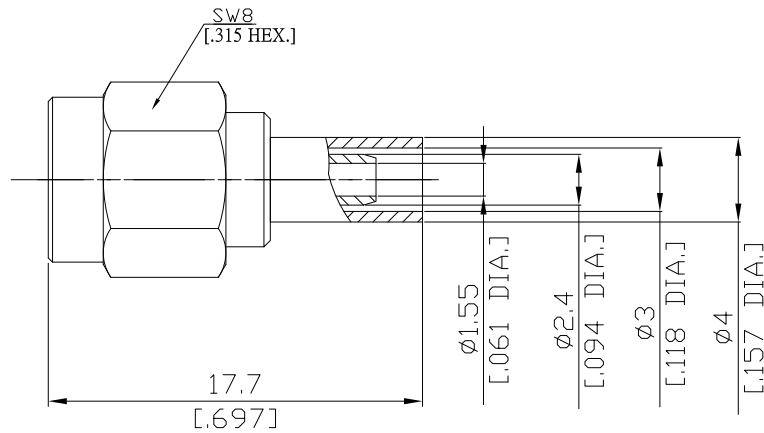


SMA Straight Cable Plug

SMA1C50-D316A/111



All dimensions are in mm [inch]  
Tolerances according to DIN ISO 2768-mH

**Interface**

According to IEC 60169-15; MIL-C-39012; MIL-STD-348A/310

**Electrical Data**

Impedance 50 Ω  
Frequency DC to 6 GHz  
VSWR (Return Loss) ≤ 1.20 (≥ 20.83 dB)  
Insertion Loss ≤ 0.03 x √F (GHz) dB

*- Limitations are possible due to the used cable type and manufacturing process -*

**Mechanical Data**

Coupling mechanisms Screw-lock  
Centre contact Crimped  
Cable entry Crimped

**Environmental Data**

Temperature range -65°C to +165°C  
RoHS compliant

**Material And Plating**

Connector parts	Material	Plating
Centre contact	Brass	Gold plating(Nickel underplated)
Body	Brass	Gold plating(Nickel underplated)
Insulator	PTFE	
Gasket	Silicone Rubber	
Coupling nut	Brass	Gold plating(Nickel underplated)
Crimp ferrules	Brass	Gold plating(Nickel underplated)

**Suitable Cables**

RG 188, RG 316-d

**Packing**

Single or 100