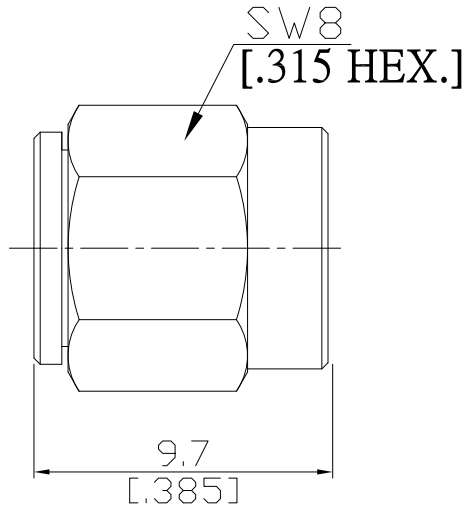


SMA SHORT
SMA plug (male)
SMA1AS50-0970A/111


All dimensions are in mm [inch]

Tolerances according to DIN ISO 2768-mH

Interface

According to MIL-C-39012;MIL-STD-348A/310

Electrical Data

 Impedance 50 Ω
 Frequency DC to 18 GHz

Mechanical Data

 Coupling mechanisms Screw-lock
 Weight N/A

Environmental Data

 Temperature range -65°C to +165°C
 RoHS compliant

Material And Plating

Piece Parts (SMA)	Material	Plating
Centre contact	Brass	Gold plating(Nickel underplated)
Body	Brass	Gold plating(Nickel underplated)
Gasket	Silicone Rubber	
Coupling nut	Brass	Gold plating(Nickel underplated)

Packing

Single or 100