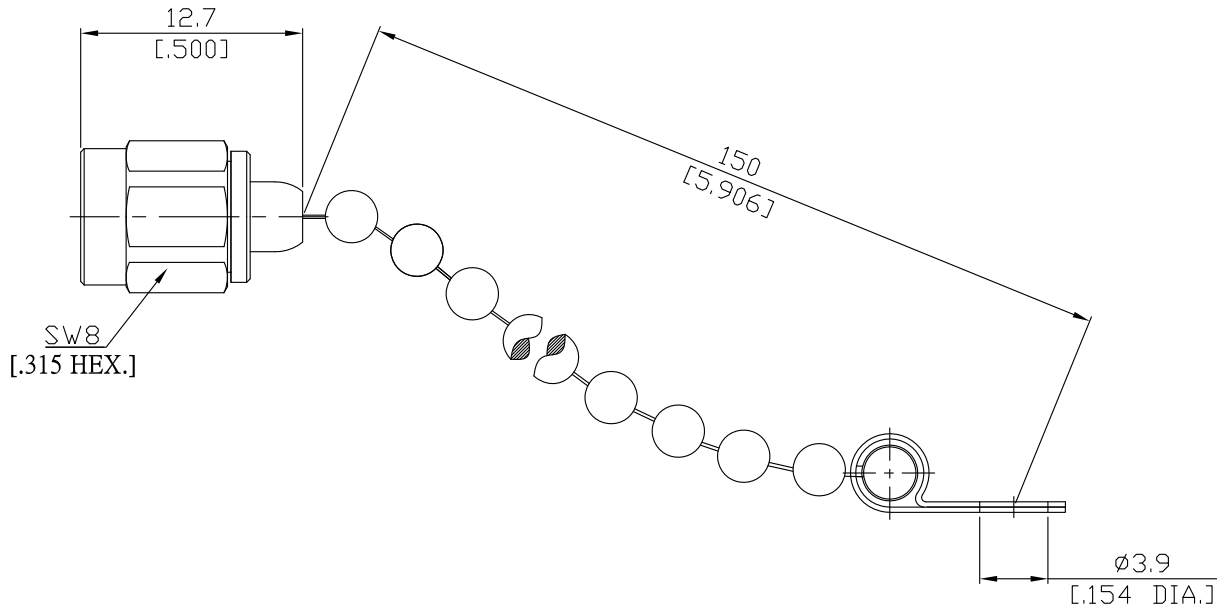


**SMA Straight Protective Cap With Chain Plug**
**SMA1A00-1270A-150/-XX**


All dimensions are in mm [inch]  
Tolerances according to DIN ISO 2768-mH

**Mechanical Data**

Coupling mechanisms Screw-lock  
Weight N/A

**Environmental Data**

Temperature range -65°C to +165°C  
RoHS compliant

**Material And Plating**

Connector parts	Material	Plating
Body	Stainless Steel	Passivated
Gasket	Silicone Rubber	
Coupling nut	Stainless Steel	Passivated
Chain	Brass	Copper-Tin-Zinc Alloy

**Packing**

Single or 100