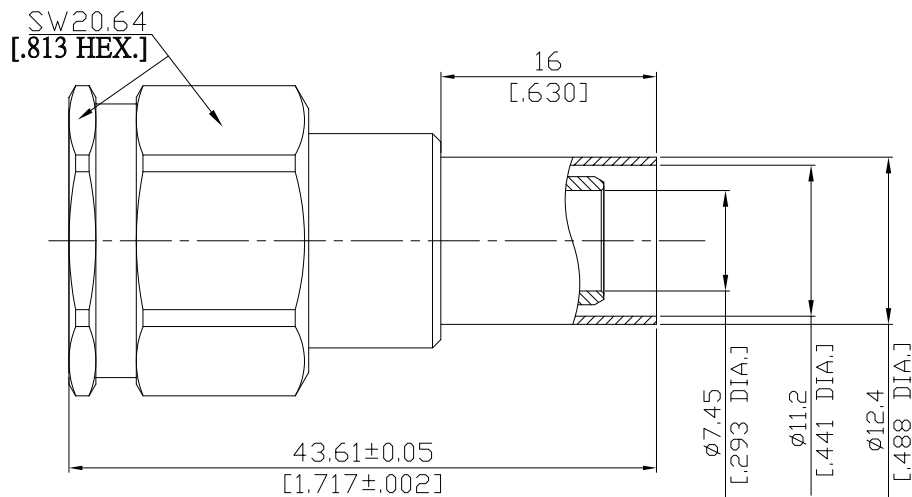


SC (Male) Straight Cable Plug

SC1C50-G214A/144



All dimensions are in mm [inch]

Tolerances according to DIN ISO 2768-mH

Interface

According to MIL-STD-348A/309

Electrical Data

Impedance 50 Ω
Frequency DC to 6 GHz

- Limitations are possible due to the used cable type and manufacturing method -

Mechanical Data

Coupling mechanisms Screw-lock
Centre contact Soldered or Crimped
Cable entry Crimp

Environmental Data

Temperature range -65°C to +165°C
RoHS compliant

Material And Plating

Connector parts	Material	Plating
Centre contact	Brass	Gold plating(Nickel underplated)
Body	Brass	Copper-Tin-Zinc Alloy
Insulator	PTFE	
Coupling nut	Brass	Copper-Tin-Zinc Alloy

Suitable Cables

RG-393, RG-214, RG-225, RG-9

Packing

Single or 100

Crimp Dimensions [HEX]

Crimp ferrule 10.9mm [.429 inch]
Centre contact 2.54mm [.100 inch]