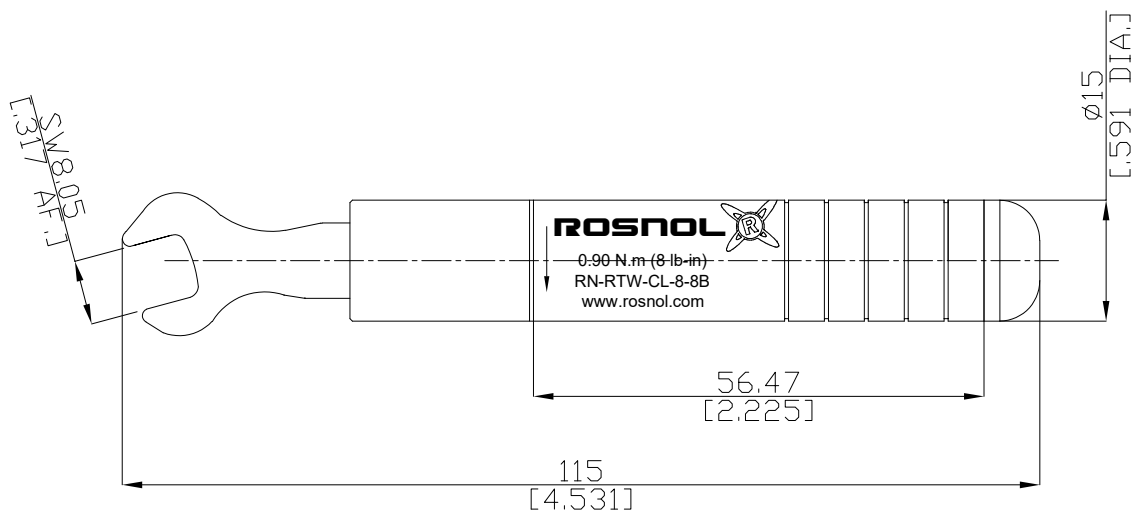




Click-Type Torque Wrench  
SMA (Stainless Steel) / 3.5mm / 2.92mm /  
2.4mm / 1.85mm

RN-RTW-CL-8-8B



All dimensions are in mm [inch]  
Tolerances according to DIN ISO 2768-mH

**Suitable connector**

SMA (Stainless Steel), 3.5mm, 2.92mm, 2.4mm, 1.85mm

**Material And Plating**

Tooling parts	Material	Plating
Spanner	Tool Steel	Nickel
Handle	Aluminum	

**Mechanical data**

Width across flats	8.05 mm
Torque setting	8 lb-in ± 0.5lb-in [0.90 Nm ± 0.06 Nm ]

**Packing**

Single