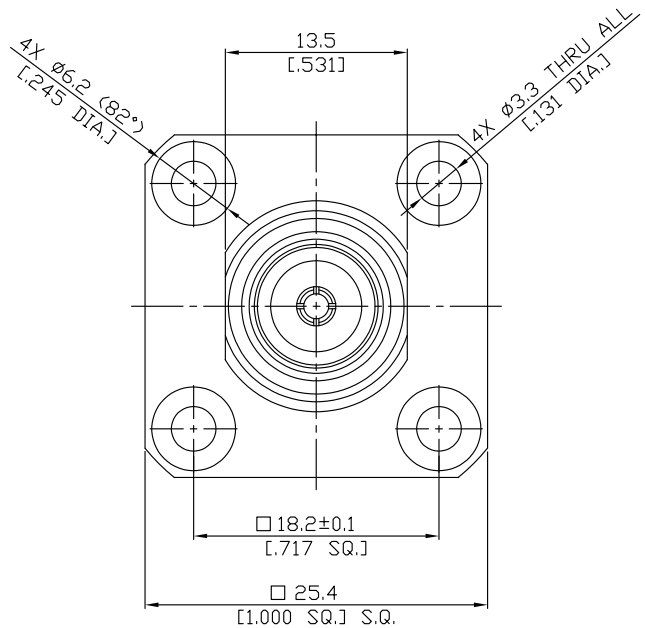
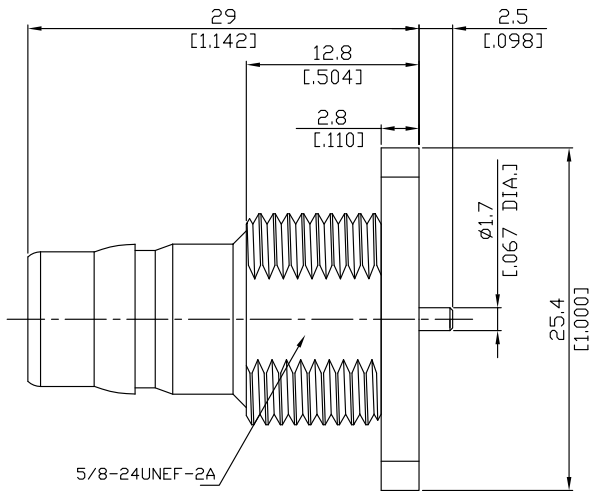


QN Straight Panel Receptacle Jack
(Coaxial End)

QN2GFA50-3150A/H1



All dimensions are in mm [inch]
Tolerances according to DIN ISO 2768-mH

Interface

According to 153QK000-000; DCA-00067752

Electrical Data

Impedance 50 Ω
Frequency DC to 6 GHz
VSWR $\leq 1.05 + 0.025 \times f$ (GHz)

Mechanical Data

Coupling mechanisms Quick lock
Weight N/A

Environmental Data

Temperature range -65°C to +125°C
IP rating IP68 (interface only)
RoHS compliant

Material And Plating

Piece Parts	Material	Plating
Centre contact	Phosphor Bronze	Gold plating(Nickel underplated)
Body	Brass	Gold plating(Nickel underplated)
Insulator	PTFE	

Packing

Single or 100