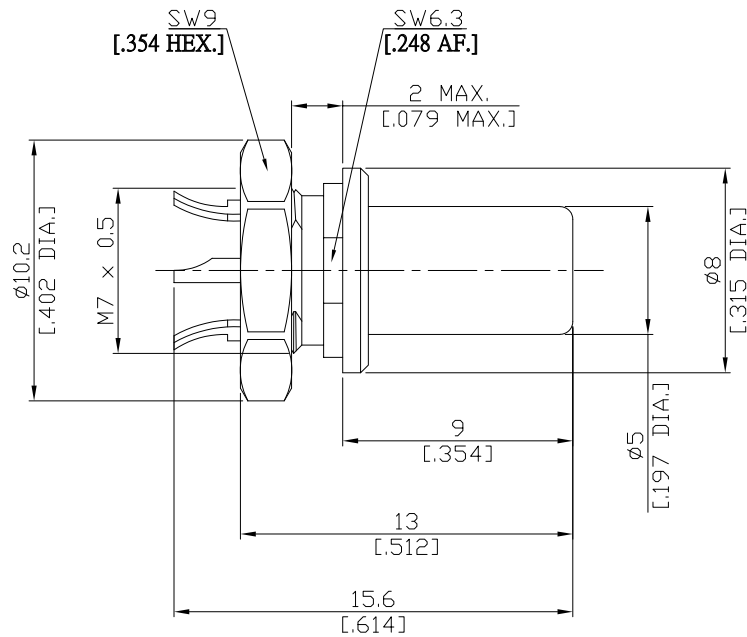


QLA Straight Bulkhead Plug
Solder End, Non-latching

QLA1FB50-1560A/95



All dimensions are in mm [inch]
Tolerances according to DIN ISO 2768-mH

Interface

According to NIM-CAMAC-Standard CD/N549

Electrical Data

Impedance 50 Ω
Frequency DC to 1.4 GHz

Mechanical Data

Coupling mechanisms Push-on
Weight N/A

Environmental Data

Temperature range -55°C to +150°C
RoHS compliant

Material And Plating

Piece Parts	Material	Plating
Centre contact	Beryllium Copper	Gold plating(Nickel underplated)
Body	Brass	Chrome
Insulator	PEEK	
Fastening nut	Brass	Chrome
Washer	Brass	Chrome

Packing

Single or 100