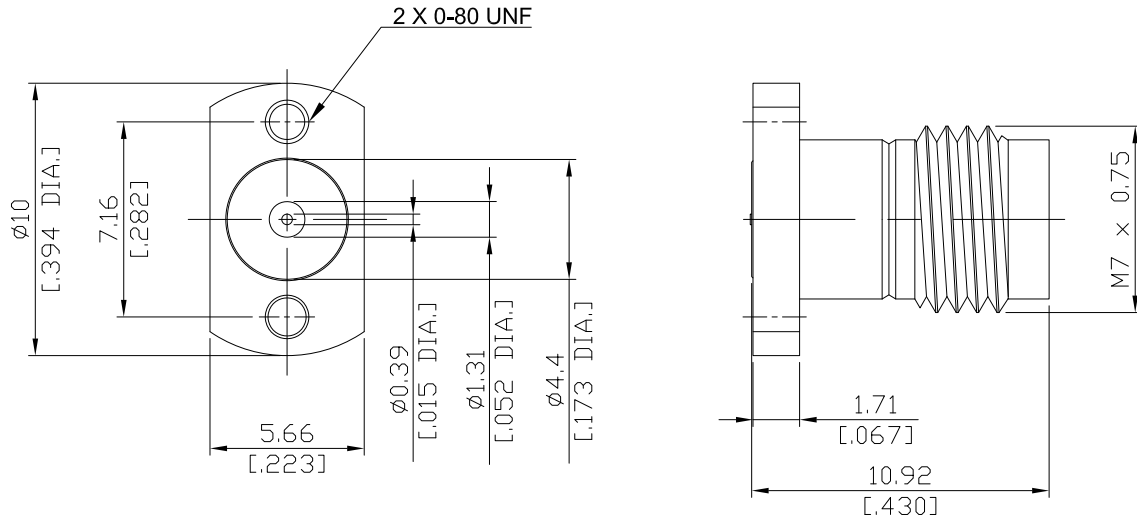


2.4mm Compression Mount Jack
High Speed CPW/Microstrip or Stripline Options

Q2L50-1092A/9X



All dimensions are in mm [inch]
Tolerances according to DIN ISO 2768-mH

Interface

According to IEC 61169-40; IEEE Std 287; MIL-STD-348B/324

Electrical Data

Impedance 50 Ω
Frequency DC to 50 GHz
VSWR (Return Loss) ≤ 1.30 (≥ 17.69 dB)
Insertion Loss ≤ 0.05 x √F (GHz) dB
RF Leakage ≤ -100 dB

Mechanical Data

Coupling mechanisms Screw-lock
Weight N/A

Environmental Data

Temperature range -55°C to +165°C
RoHS compliant

Material And Plating

Piece Parts	Material	Plating
Centre contact	Beryllium Copper	Gold plating (Nickel underplated)
Body	Stainless Steel	Passivated
Insulator	PEI	

Packing

Single or 100

Related Document

Mounting Dimension MD142