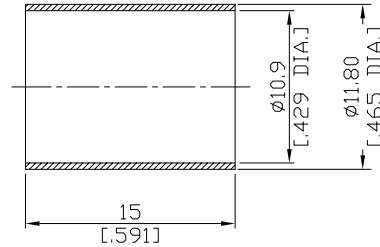
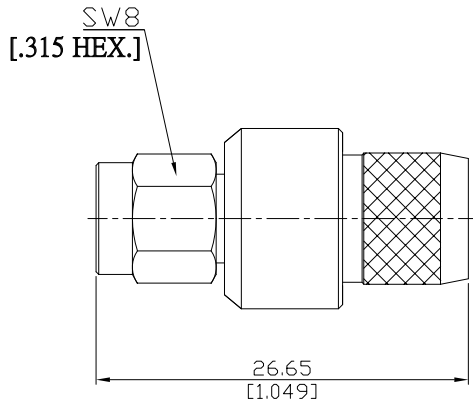
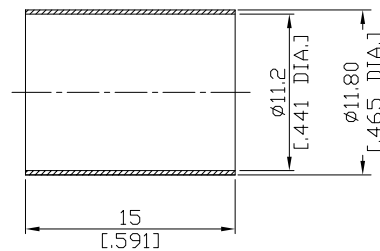


SMA Plug (Male) Cable Connector

SMA1C50-G213-214AA/111



RG213



RG214

All dimensions are in mm [inch]

Tolerances according to DIN ISO 2768-mH

Interface

According to IEC 60169-15; MIL-C-39012; MIL-STD-348A/310

Electrical Data

Impedance 50 Ω
 Frequency DC to 6 GHz
 VSWR (Return loss) ≤ 1.20 (≥ 20.83 dB)

- Limitations are possible due to the used cable type and manufacturing method -

Mechanical Data

Coupling mechanisms Screw-lock
 Centre contact Solder or Crimp
 Cable entry Crimp

Environmental Data

Temperature range -65°C to +165°C
 RoHS compliant
 REACH compliant

Material And Plating

Connector parts	Material	Plating
Centre contact	Brass	Gold plating(Nickel underplated)
Body	Brass	Gold plating(Nickel underplated)
Insulator	PTFE	
Gasket	Silicone Rubber	
Coupling nut	Brass	Gold plating(Nickel underplated)

Suitable Cables

RG-213, RG-214, RG-393

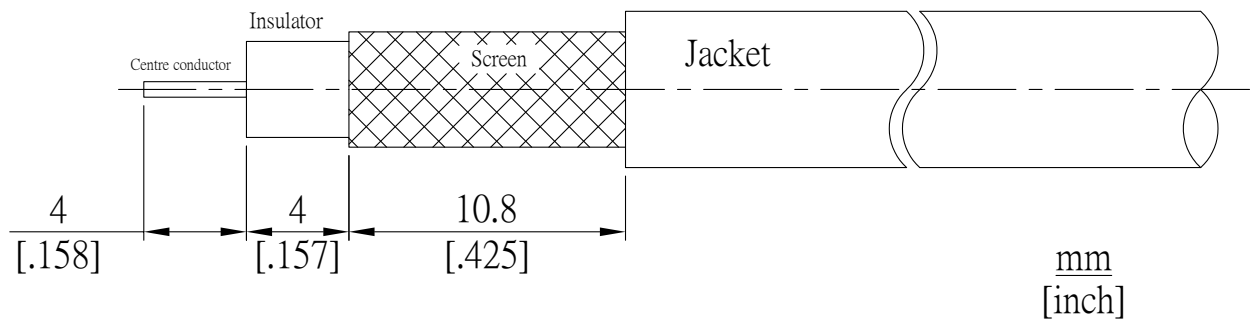
Packing

Single or 100

SMA Plug (Male) Cable Connector

SMA1C50-G213-214AA/111

Cable Stripping Dimensions



Crimp Dimensions [HEX]

Crimp ferrule 10.90mm [.429 inch]
Centre contact 2.54mm [.100 inch]