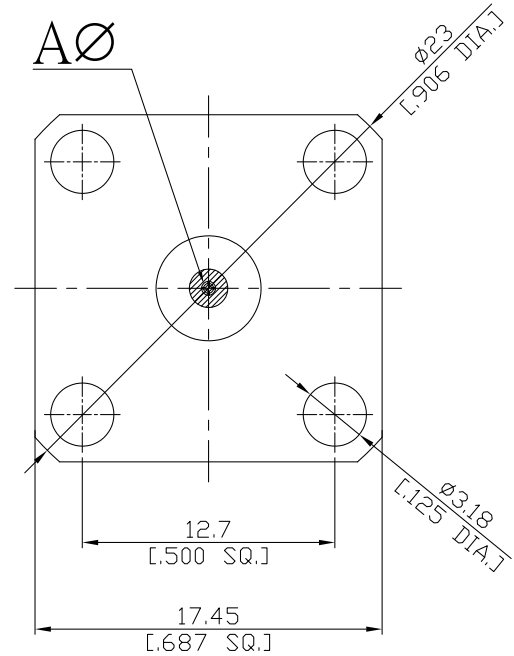
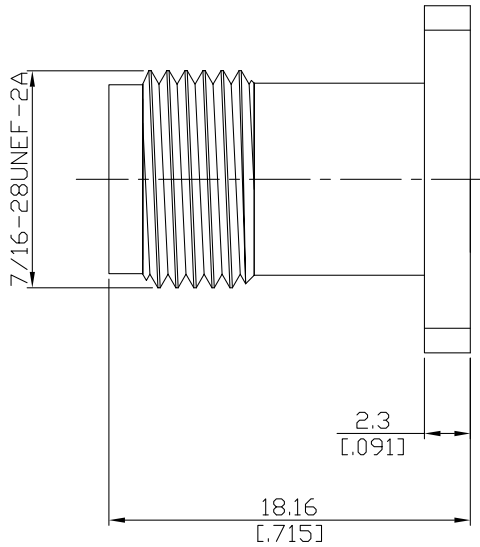


Precision TNC Jack (Female) Field Replaceable
Connector, 4 Hole Flange Mount,
17.45 mm [.687 inch] Flange Size

PCT2BF50-0020C/9X



P/N	AØ mm [inch]
PCT2BF50-0036C/9X	0.91 [.036]
PCT2BF50-0020C/9X	0.51 [.020]
PCT2BF50-0018C/9X	0.46 [.018]
PCT2BF50-0015C/9X	0.38 [.015]
PCT2BF50-0012C/9X	0.30 [.012]
PCT2BF50-0010C/9X	0.25 [.010]

All dimensions are in mm [inch]
Tolerances according to DIN ISO 2768-mH

Interface

According to IEC 60169-26

Electrical Data

Impedance 50 Ω
Frequency DC to 18 GHz
VSWR (Return loss) ≤ 1.25 (≥ 19.08 dB)

Mechanical Data

Coupling mechanisms Screw-lock
Weight N/A

Environmental Data

Temperature range -55°C to +165°C
RoHS compliant

Material And Plating

Piece Parts	Material	Plating
Centre contact	Beryllium Copper	Gold plating(Nickel underplated)
Body	Stainless Steel	Passivated
Insulator	PTFE	

Packing

Single or 100