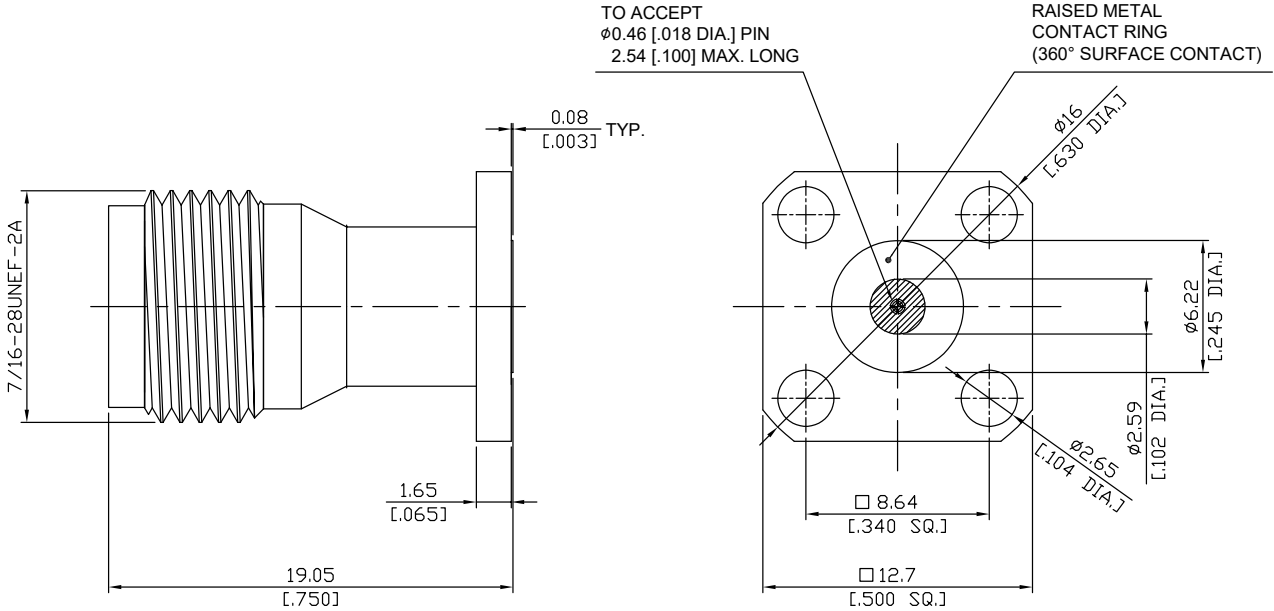


Precision TNC Jack (Female) Field Replaceable Connector
4 Hole Flange Mount, 0.46 mm [.018 inch] Pin
12.7 mm [.500 inch] Flange Size

PCT2BF50-0018A/9X



All dimensions are in mm [inch]
Tolerances according to DIN ISO 2768-mH

Interface	
According to	IEC 60169-26
Electrical Data	
Impedance	50 Ω
Frequency	DC to 18 GHz
Mechanical Data	
Coupling mechanisms	Screw-lock
Weight	N/A
Accept Pin	0.46 mm (.018 inch)
Environmental Data	
Temperature range	-55°C to +165°C
RoHS	compliant

Material And Plating

Piece Parts	Material	Plating
Centre contact	Beryllium Copper	Gold plating(Nickel underplated)
Body	Stainless Steel	Passivated
Insulator	PTFE	

Packing

Single or 100