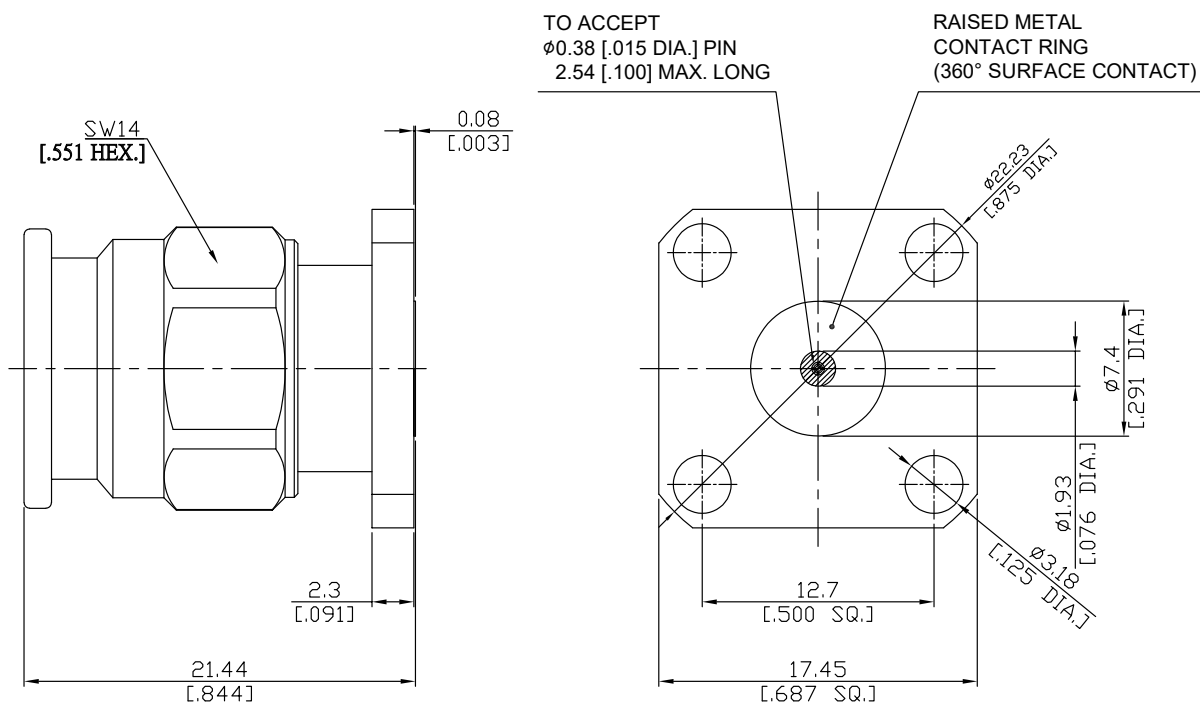


Precision TNC Plug (Male) Field Replaceable Connector
4 Hole Flange Mount, 0.38 mm [.015 inch] Pin
17.45 mm [.687 inch] Flange Size

PCT1BF50-0015B/9XX



All dimensions are in mm [inch]
Tolerances according to DIN ISO 2768-mH

Interface

According to IEC 60169-26

Electrical Data

Impedance 50 Ω
Frequency DC to 18 GHz

Mechanical Data

Coupling mechanisms Screw-lock
Weight N/A
Accept Pin 0.38 mm (.015 inch)

Environmental Data

Temperature range -55°C to +165°C
RoHS compliant

Material And Plating

Piece Parts	Material	Plating
Centre contact	Beryllium Copper	Gold plating(Nickel underplated)
Body	Stainless Steel	Passivated
Insulator	PTFE	
Gasket	Silicone Rubber	
Coupling nut	Stainless Steel	Passivated

Packing

Single or 100