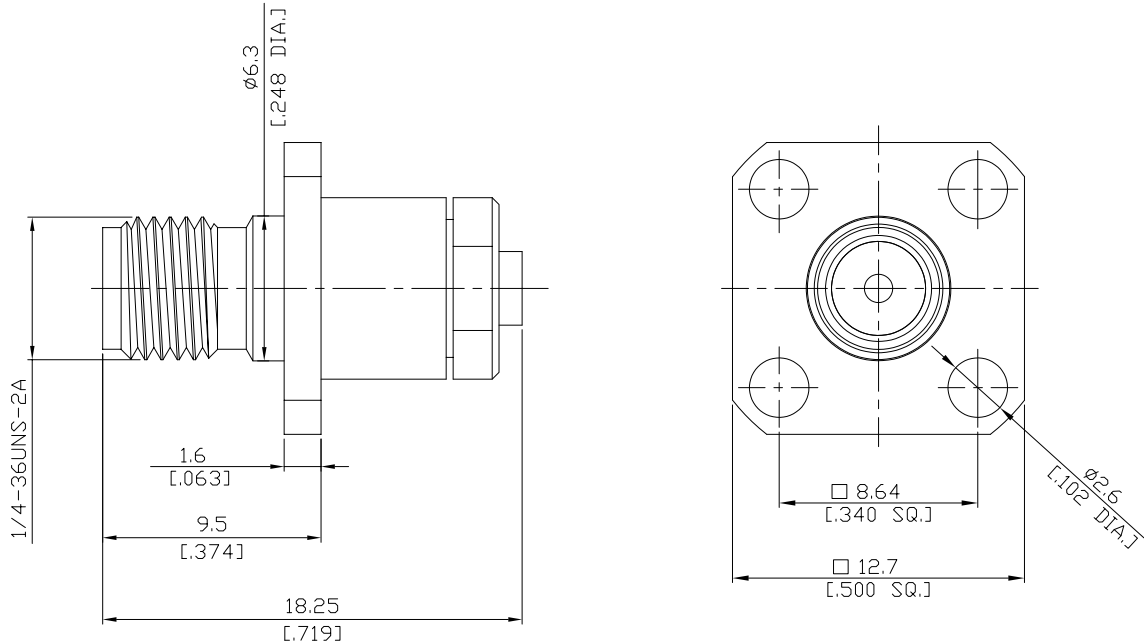


Precision SMA (Female) Straight
4-Hole Panel Cable Jack, DC-26.5 GHz

PCA2KBF50-0047A/9X



All dimensions are in mm [inch]
Tolerances according to DIN ISO 2768-mH

Interface

According to IEC 60169-15; MIL-STD-348B/310

Electrical Data

Impedance 50 Ω
Frequency DC to 26.5 GHz
VSWR (Return Loss) ≤ 1.30 (≥ 17.69 dB)
Insertion Loss ≤ 0.1 x √F (GHz) dB

- Limitations are possible due to the used cable type and manufacturing method.

Mechanical Data

Coupling mechanisms Screw-lock
Centre contact Plug-in
Cable entry Solder Clamp

Environmental Data

Temperature range -65°C to +165°C
RoHS compliant

Material And Plating

Connector parts	Material	Plating
Centre contact	Beryllium Copper	Gold plating(Nickel underplated)
Body	Stainless Steel	Passivated
Insulator	PTFE	

Suitable Cables

RSF047, RSR047, RSF 047 PVC, RSF 047 FEP

Packing

Single or 100