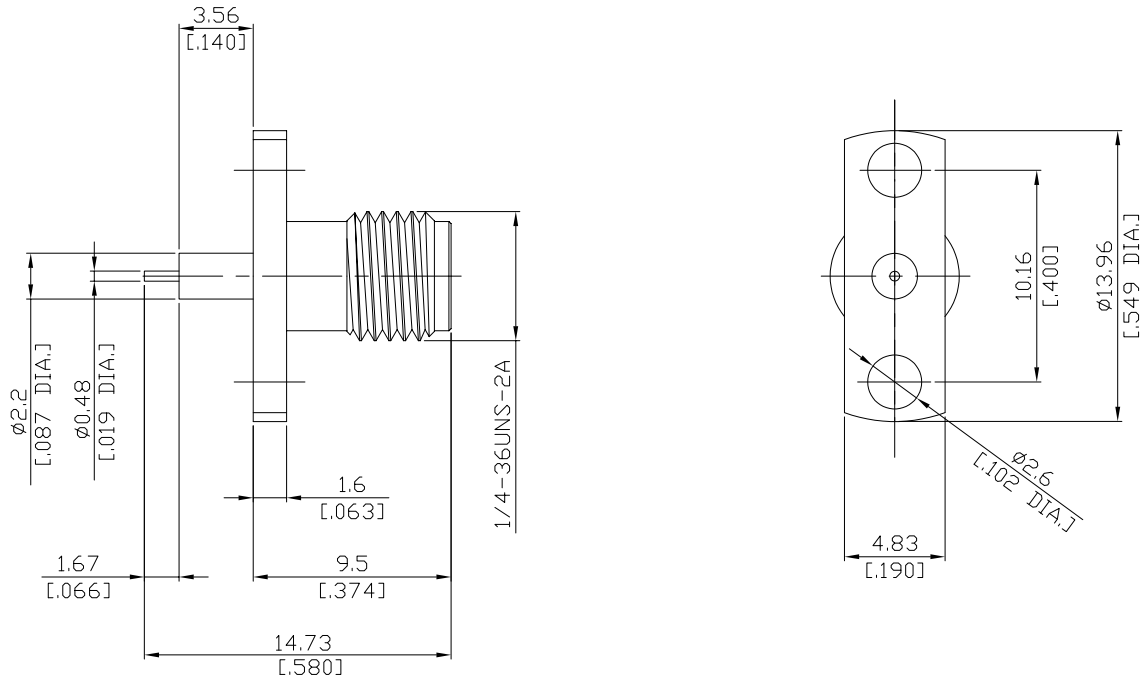


Precision SMA Straight Panel Receptacle
Jack (Coaxial End)

PCA2GTA50-1473B/9X



All dimensions are in mm [inch]

Tolerances according to DIN ISO 2768-mH

Interface

According to IEC 60169-15; MIL-STD-348A/310

Electrical Data

Impedance 50 Ω
 Frequency DC to 27 GHz
 VSWR (Return Loss) ≤ 1.20 (≥ 20.83 dB)
 Insertion Loss ≤ 0.035 × √F (GHz) dB

Mechanical Data

Coupling mechanisms Screw-lock
 Weight 0.0021 kg

Environmental Data

Temperature range -65°C to +165°C
 RoHS compliant

Material And Plating

Piece Parts	Material	Plating
Centre contact	Beryllium Copper	Gold plating(Nickel underplated)
Body	Stainless Steel	Passivated
Insulator	PTFE	

Packing

Single or 100