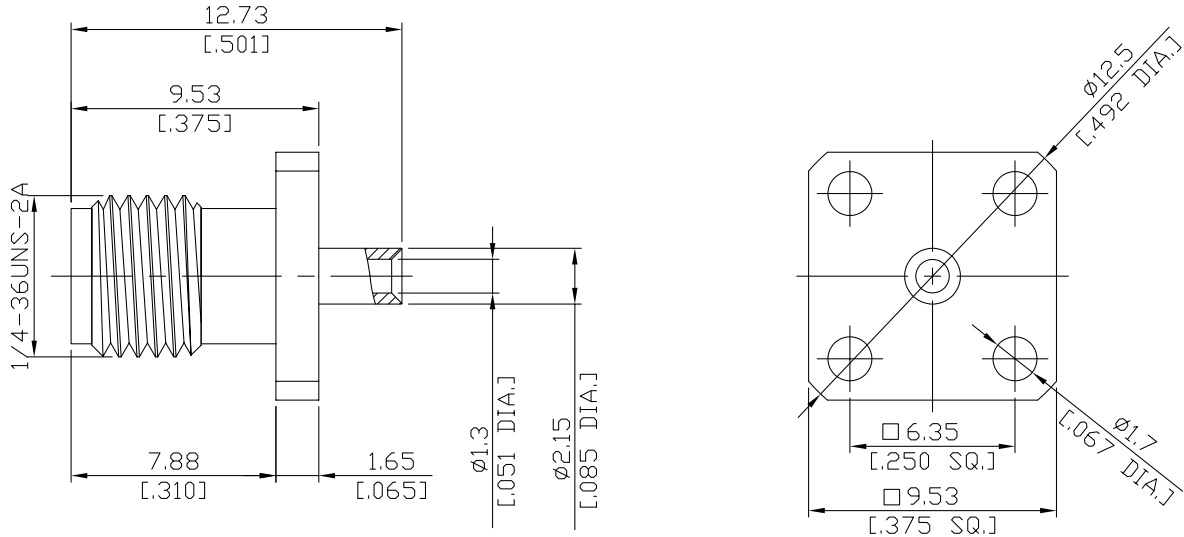


**Precision SMA (Female) Straight  
4-Hole Panel Cable Jack, DC-26.5 GHz**

PCA2EBF50-0047B/9Q



All dimensions are in mm [inch]  
Tolerances according to DIN ISO 2768-mH

**Interface**

According to IEC 60169-15; MIL-STD-348B/310

**Electrical Data**

Impedance 50 Ω  
Frequency DC to 26.5 GHz  
VSWR (Return Loss) ≤ 1.40 (≥ 15.56 dB)  
Insertion Loss ≤ 0.1 x √F (GHz) dB

- Limitations are possible due to the used cable type and manufacturing process -

**Mechanical Data**

Coupling mechanisms Screw-lock  
Centre contact Soldered  
Cable entry Soldered

**Environmental Data**

Temperature range -65°C to +165°C  
RoHS compliant

**Material And Plating**

Connector parts	Material	Plating
Centre contact	Beryllium Copper	Gold plating(Nickel underplated)
Body	Stainless Steel	Gold plating(Nickel underplated)
Insulator	PTFE	

**Suitable Cables**

RSR-047, RSF-047, RSF-047-FEP, RSF-047-PVC

**Packing**

Single or 100

**Related Document**

Mounting Dimension MD118