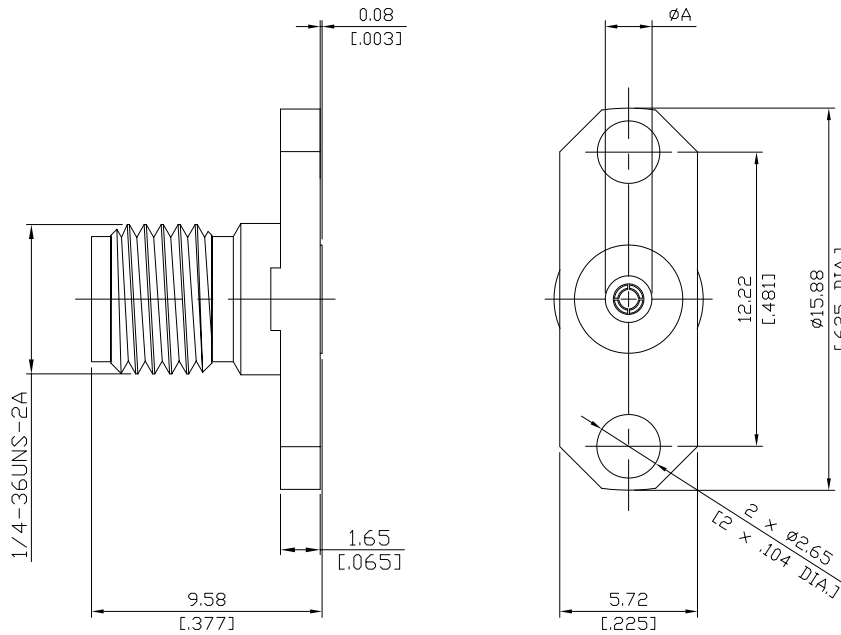




Precision SMA Jack (Female) Straight 2-Hole
Field Replaceable, DC-27 GHz, VSWR ≤ 1.15

PCA2BT50-0020A/9X



P/N	Accept Pin mm [inch]	Max. Pin Depth mm [inch]	Ø A mm [inch]
PCA2BT50-0036A/9X	0.91 [.036]	2.54 [.100]	3.91 [.154]
PCA2BT50-0020A/9X	0.51 [.020]	2.54 [.100]	2.67 [.105]
PCA2BT50-0018A/9X	0.46 [.018]	2.54 [.100]	2.59 [.102]
PCA2BT50-0015A/9X	0.38 [.015]	2.54 [.100]	1.96 [.077]
PCA2BT50-0012A/9X	0.30 [.012]	1.90 [.075]	1.96 [.077]
PCA2BT50-0009A/9X	0.23 [.009]	1.65 [.065]	1.52 [.060]

All dimensions are in mm [inch]
Tolerances according to DIN ISO 2768-mH

Interface

According to IEC 60169-15; MIL-STD-348A/310

Electrical Data

Impedance 50 Ω
Frequency DC to 27 GHz
VSWR (Return loss) ≤ 1.15 (≥ 23.13)

Mechanical Data

Coupling mechanisms Screw-lock
Weight N/A
Accept Pin 0.51 mm (.020 inch)

Environmental Data

Temperature range -65°C to +165°C
RoHS compliant

Material And Plating

Piece Parts	Material	Plating
Centre contact	Beryllium Copper	Gold plating(Nickel underplated)
Body	Stainless Steel	Passivated
Insulator	PTFE	

Packing

Single or 100