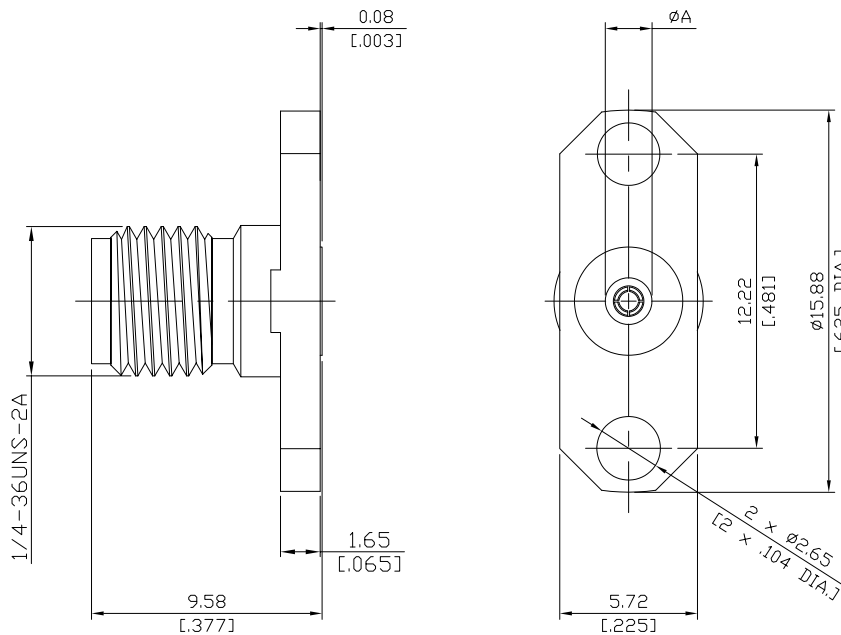




Precision SMA (Female) Straight
2-Hole Flange, Field Replaceable Jack

PCA2BT50-0015A/9X



P/N	Accept Pin mm [inch]	Max. Pin Depth mm [inch]	ϕA mm [inch]
PCA2BT50-0036A/9X	0.91 [0.036]	2.54 [0.100]	3.91 [0.154]
PCA2BT50-0020A/9X	0.51 [0.020]	2.54 [0.100]	2.67 [0.105]
PCA2BT50-0018A/9X	0.46 [0.018]	2.54 [0.100]	2.59 [0.102]
PCA2BT50-0015A/9X	0.38 [0.015]	2.54 [0.100]	1.96 [0.077]
PCA2BT50-0012A/9X	0.30 [0.012]	1.90 [0.075]	1.96 [0.077]
PCA2BT50-0009A/9X	0.23 [0.009]	1.65 [0.065]	1.52 [0.060]

All dimensions are in mm [inch]
Tolerances according to DIN ISO 2768-mH

Interface

According to IEC 60169-15; MIL-STD-348B/310

Electrical Data

Impedance: 50 Ω
Frequency: DC to 27 GHz
VSWR (Return loss): ≤ 1.15 (≥ 23.13)

Mechanical Data

Coupling mechanisms: Screw-lock
Weight: N/A
Accept Pin: 0.38 mm (.015 inch)

Environmental Data

Temperature range: -55°C to +165°C
RoHS: compliant

Material And Plating

Piece Parts	Material	Plating
Centre contact	Beryllium Copper	Gold plating(Nickel underplated)
Body	Stainless Steel	Passivated
Insulator	PTFE/PEI	

Packing

Single or 100