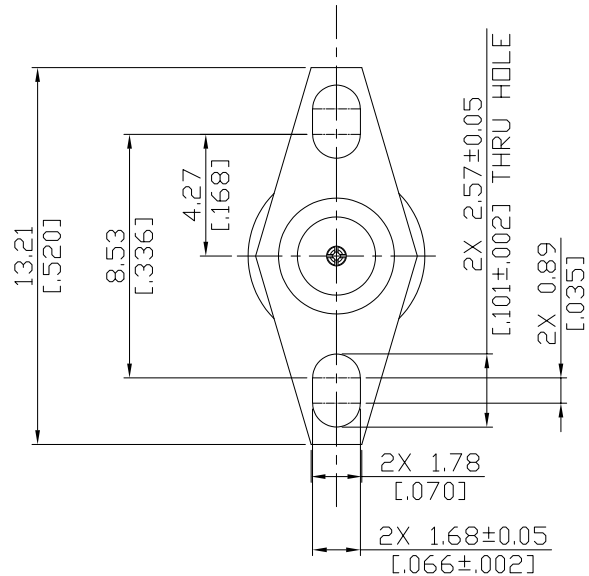
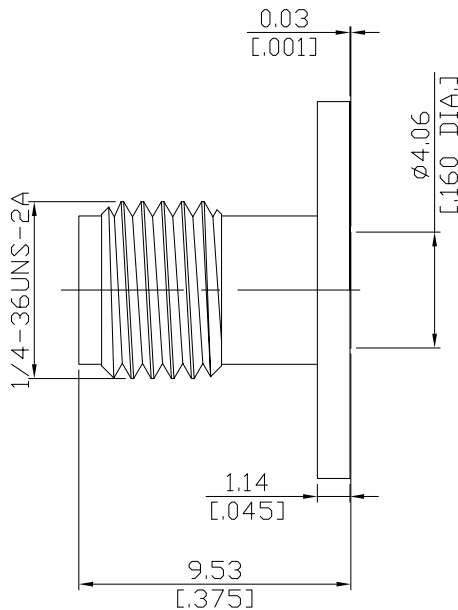


Precision SMA
Straight Field Replaceable Jack

PCA2BT50-0012E/9X



P/N	Accept Pin mm [inch]	Max. Pin Depth mm [inch]
PCA2BT50-0020E/9X	0.51 [.020]	2.54 [.100]
PCA2BT50-0018E/9X	0.46 [.018]	2.54 [.100]
PCA2BT50-0015E/9X	0.38 [.015]	2.54 [.100]
PCA2BT50-0012E/9X	0.30 [.012]	1.90 [.075]
PCA2BT50-0009E/9X	0.23 [.009]	1.65 [.065]

All dimensions are in mm [inch]

Tolerances according to DIN ISO 2768-mH

Interface

According to IEC 60169-15; MIL-C-39012; MIL-STD-348A/310

Electrical Data

Impedance 50 Ω
 Frequency DC to 27 GHz
 VSWR (Return loss) ≤ 1.19 (≥ 21.23 dB)
 Insertion loss ≤ 0.03 x √F (GHz) dB
 - Electrical performance guaranteed for connector only -

Mechanical Data

Coupling mechanisms Screw-lock
 Weight N/A
 Accept Pin 0.30 mm (.012 inch)

Environmental Data

Temperature range -65°C to +165°C
 RoHS compliant

Material And Plating

Piece Parts	Material	Plating
Centre contact	Beryllium Copper	Gold plating(Nickel underplated)
Body	Stainless Steel	Passivated
Insulator	PTFE	

Packing

Single or 100