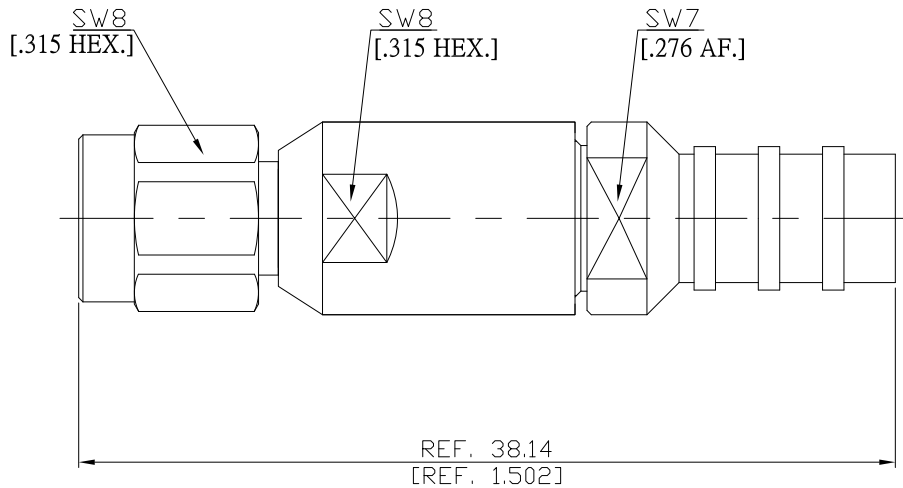


RPC3.5 Straight Cable Plug

PC1K50-0420B/9XX



All dimensions are in mm [inch]

Interface

According to IEC 60169-23 ; IEEE-Std-287

Electrical Data

Impedance 50 Ω
 Frequency DC to 26.5 GHz
 VSWR (Return Loss) ≤ 1.25 (≥ 19.08 dB)
 Insertion Loss ≤ 0.04 x √F [GHz] dB

- Limitations are possible due to the used cable type -

Mechanical Data

Coupling mechanisms Screw-lock
 Centre contact Plug-in
 Cable entry Solder Clamp

Environmental Data

Temperature range -65°C to +165°C
 RoHS compliant

Material And Plating

Connector parts	Material	Plating
Centre contact	Beryllium Copper	Gold plating(Nickel underplated)
Body	Stainless Steel	Gold plating(Nickel underplated)
Insulator	PS	
Gasket	Silicone Rubber	
Coupling nut	Stainless Steel	Gold plating(Nickel underplated)

Suitable Cables

ROSNOL EW0420 Cable

Packing

Single or 100