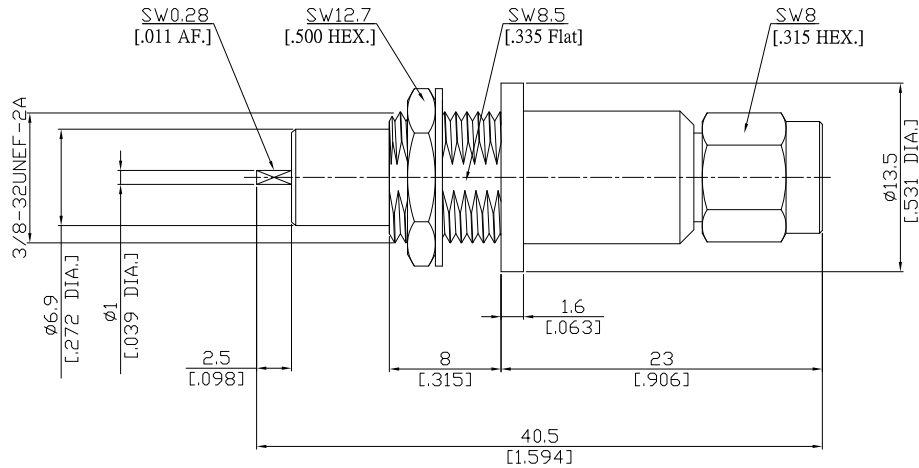


3.5mm Straight Bulkhead Receptacle Plug
Flat End

PC1FD50-4050A/9XX



All dimensions are in mm [inch]
Tolerances according to DIN ISO 2768-mH

Interface
According to IEC 60169-23

Electrical Data
Impedance 50 Ω
Frequency DC to 26.5 GHz
VSWR (Return Loss) ≤ 1.3 (≥ 17.7 dB)

Mechanical Data
Coupling mechanisms Screw-lock
Weight 0.0162 kg

Environmental Data
Temperature range -65°C to +90°C
RoHS compliant

Material And Plating		
Piece Parts	Material	Plating
Centre contact	Beryllium Copper	Gold plating(Nickel underplated)
Body	Stainless Steel	Passivated
Insulator	PS	
Gasket	Silicone Rubber	
Coupling nut	Stainless Steel	Passivated
Fastening nut	Brass	Copper-Tin-Zinc Alloy
Washer	Brass	Copper-Tin-Zinc Alloy

Packing
Single or 100

Related Document
Mounting Dimension MD18