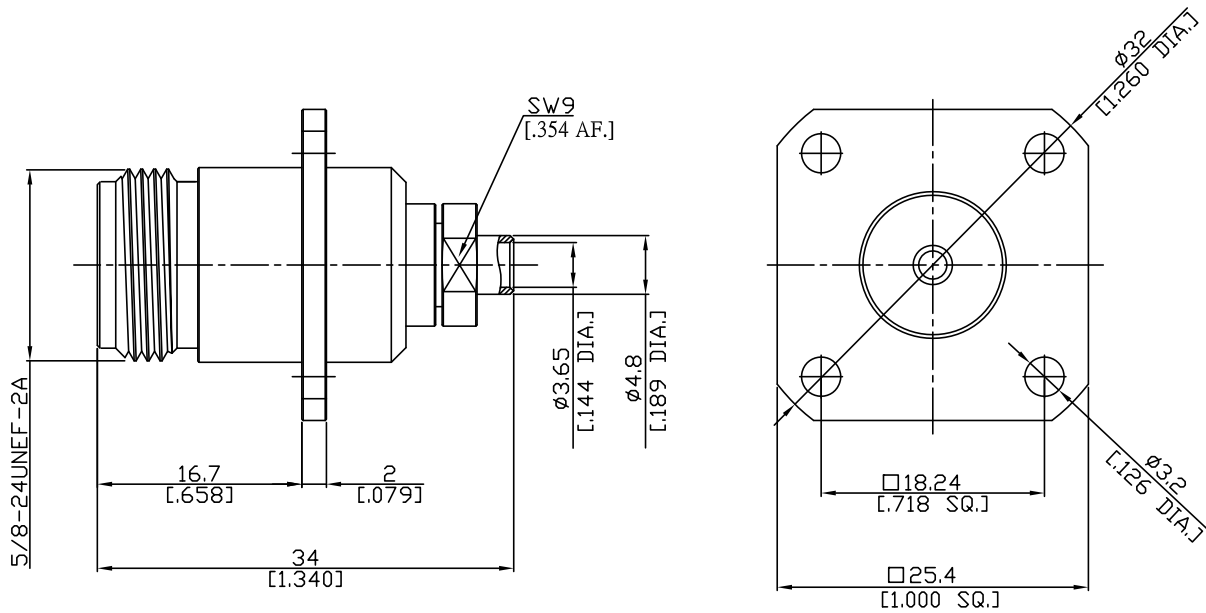


N Straight 4 Hole Panel Flange  
Cable Jack

N2KBF50-0141B/H4



All dimensions are in mm [inch]

**Interface**

According to IEC 60169-16; MIL-C-39012; MIL-STD-348A/304

**Electrical Data**

Impedance 50 Ω  
 Frequency DC to 11 GHz  
 VSWR (Return Loss) ≤ 1.2 (≥ 20.1 dB)  
 Insertion Loss ≤ 0.05  
*Limitations are possible due to the used cable type -*

**Mechanical Data**

Coupling mechanisms Screw-lock  
 Soldered or Crimped  
 Solder clamp

**Environmental Data**

Cable entry -65°C to +165°C  
 compliant

**Material And Plating**

Piece Parts	Material	Plating
Centre contact	Phosphor Bronze	Gold plating(Nickel underplated)
Body	Brass	Copper-Tin-Zinc Alloy
Insulator	PTFE	

**Suitable Cables**

RSR-141, RSF-141, RSF-141-FEP, RSF-141-PVC, RG-402, Belden 1673A, Belden 1673J

**Packing**

Single or 100

**Related Document**

Mounting Dimension MD16