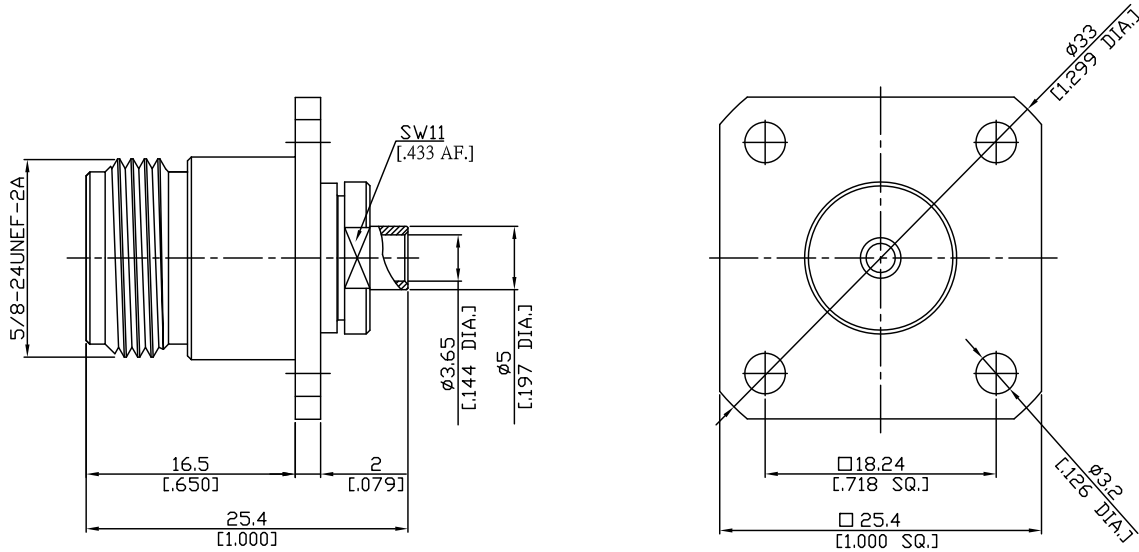




**N Straight 4 Hole Panel Flange
Cable Jack**

N2KBF50-0141A/H4



All dimensions are in mm [inch]

Interface

According to IEC 60169-16;MIL-C-39012;MIL-STD-348A/304

Electrical Data

Impedance 50 Ω
 Frequency DC to 11 GHz
 VSWR (Return Loss) ≤ 1.2 (≥ 20.1 dB)
 Insertion Loss ≤ 0.05

- Limitations are possible due to the used cable type -

Mechanical Data

Coupling mechanisms Screw-lock
 Centre contact Soldered or Crimped
 Cable contact Solder clamp

Environmental Data

Temperature range -65°C to +165°C
 compliant

Material And Plating

Connector parts	Material	Plating
Centre contact	Phosphor Bronze	Gold plating(Nickel underplated)
Body	Brass	Copper-Tin-Zinc Alloy
Insulator	PTFE	

Suitable Cables

RSR-141, RSF-141, RSF-141-FEP, RSF-141-PVC, RG-402, Belden 1673A, Belden 1673J

Packing

Single or 100

Related Document

Mounting Dimension MD16