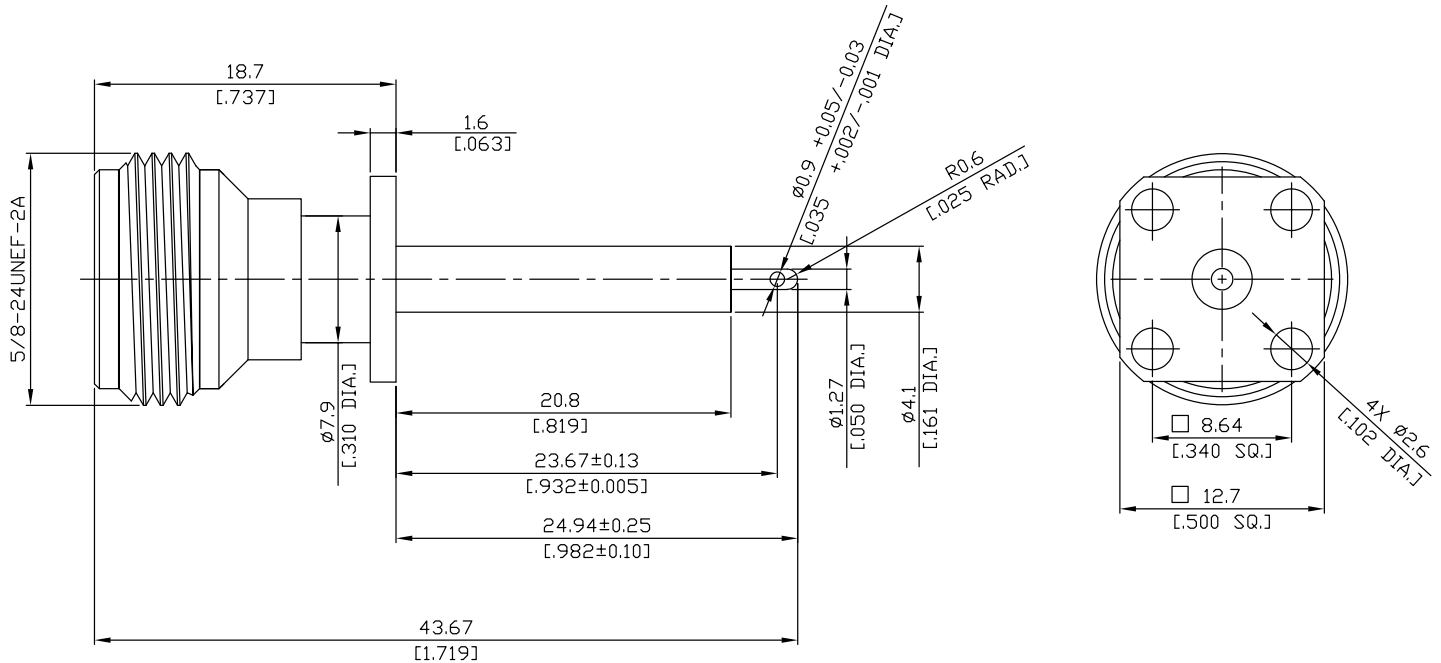




**N Straight Panel Receptacle Jack**  
**Low PIM**

**N2GFE50-4364B/94-LP**



All dimensions are in mm [inch]  
Tolerances according to DIN ISO 2768-mH

**Interface**

According to IEC 61169-16; CECC 22210; MIL-C-39012; MIL-STD-348A/304

**Electrical Data**

Impedance	50 Ω
Frequency	DC to 5 GHz
VSWR (Return Loss)	1.3 - 2.3GHz: ≤1.08 (≥28.30 dB)    4.4 - 5GHz: ≤1.10 (≥26.44 dB)
Insertion Loss	≤ 0.05 x √F (GHz) dB
Center Contact Resistance	≤ 1.0 mΩ
Outer Contact Resistance	≤ 1.0 mΩ
RF Leakage	≥ -90 dB
Voltage Rating	≥ 500 V rms
Dielectric Withstanding Voltage	≥1000 V rms (@ 60 Hz; sea level)
Power Handling	1.3 - 2.3GHz: Avg.: 250W/Peak: 400W    4.4 - 5GHz: Avg.: 150W/Peak: 200W
Insulation Resistance	≥ 5000 MΩ
PIM level	≥ -150 dBc

**Mechanical Data**

Coupling Mechanisms	Screw-lock
Weight	N/A
Mating Cycles	≥ 500
Contact Torque	≥ 4.0 in-ounces
Coupling Nut Mating Torque	8-10 lbs

The facts and figures herein are carefully compiled to the best of our knowledge, but they are intended for general informational purposes only. In the effort to improve our products, we reserve the right to make changes judged to be necessary.

Rev.: 1.0	Rosnol RF/Microwave Technology <a href="http://www.rosnol.com">www.rosnol.com</a> ; <a href="mailto:info@rosnol.com">info@rosnol.com</a>
Date: 19/11/10	Phone: +886-3-463-5095 / Fax: +886-3-463-5952 N-CAGE Code: SFKK0

**N Straight Panel Receptacle Jack**  
**Low PIM**

**N2GFE50-4364B/94-LP**

**Environmental Data**

Temperature Range	-40°C to +85°C
Altitude	Operating: 10000 ft/Storage: 40000 ft
RoHS	Compliant
Humidity	MIL-STD-202, Method 103, Condition B
Vibration	MIL-STD-202, Method 204, Condition D
Shock	MIL-STD-202, Method 213, Condition I
Thermal Shock	MIL-STD-202, Method 107, Condition A-1
Salt Atmosphere	MIL-STD-202, Method 101E, Condition A

**Material And Plating**

Piece Parts	Material	Plating
Centre contact	Beryllium Copper	Gold plating (≥100 microinches; per MIL-G-45204; type I; grade C; class 2)
Body	Brass	Copper-Tin-Zinc Alloy
Insulator	PTFE	

**Packing**

Single or 100

**Related Document**

Mounting Dimension MD71