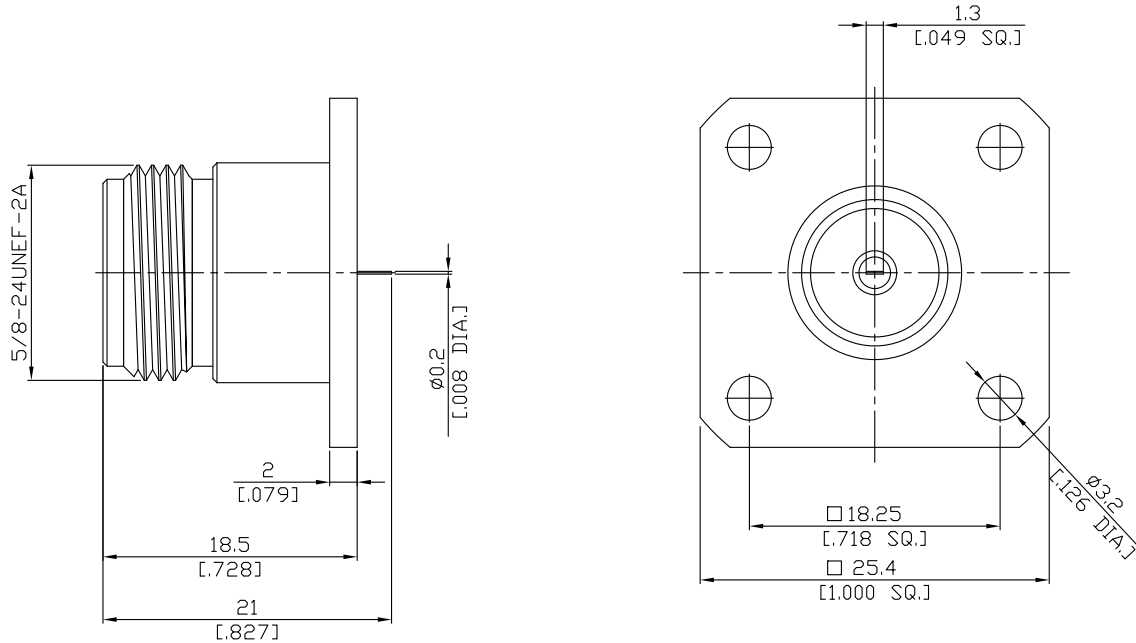


## N Straight Panel Receptacle Jack (Flat End)

### N2GFD50-2100A/H4



All dimensions are in mm [inch]  
Tolerances according to DIN ISO 2768-mH

**Interface**  
According to MIL-C-39012;MIL-STD-348A/304

**Electrical Data**  
Impedance 50 Ω  
Frequency DC to 11 GHz

**Mechanical Data**  
Coupling mechanisms Screw-lock  
Weight 0.0272 kg

**Environmental Data**  
Temperature range -65°C to +165°C  
RoHS compliant

| Material And Plating |                 |                                  |
|----------------------|-----------------|----------------------------------|
| Piece Parts          | Material        | Plating                          |
| Centre contact       | Phosphor Bronze | Gold plating(Nickel underplated) |
| Body                 | Brass           | Copper-Tin-Zinc Alloy            |
| Insulator            | PTFE            |                                  |

**Packing**  
Single or 100

**Related Document**  
Mounting Dimension MD73