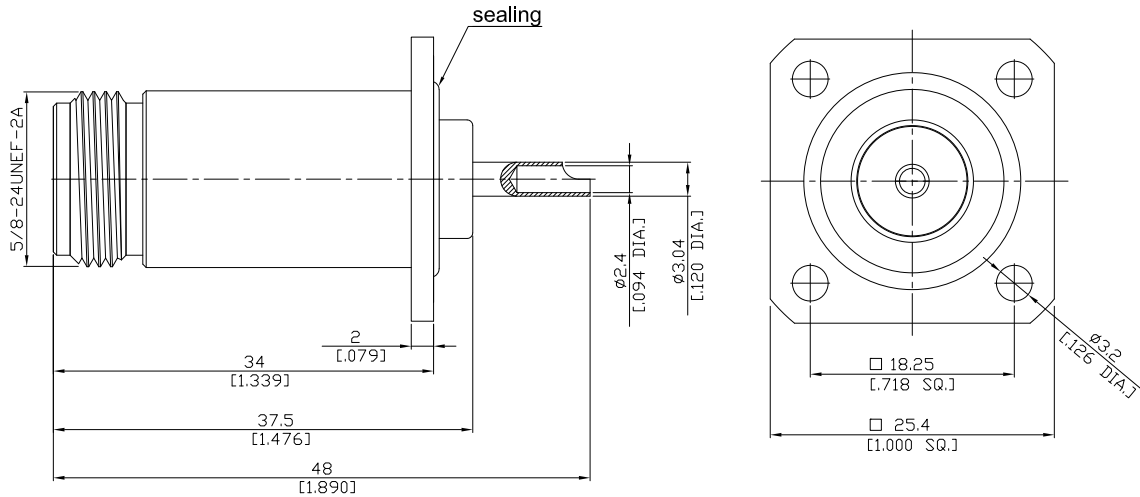


## N Straight Panel Receptacle Jack (Solder End)

### N2GFB50-4800A/94



All dimensions are in mm [inch]  
Tolerances according to DIN ISO 2768-mH

#### Interface

According to MIL-C-39012; MIL-STD-348A/304

#### Electrical Data

Impedance 50 Ω  
Frequency DC to 11 GHz

#### Mechanical Data

Coupling mechanisms Screw-lock  
Weight 0.0481 kg

#### Environmental Data

Temperature range -65°C to +165°C  
RoHS compliant

#### Material And Plating

Piece Parts	Material	Plating
Centre contact	Beryllium Copper	Gold plating(Nickel underplated)
Body	Brass	Copper-Tin-Zinc Alloy
Insulator	PTFE	
Gasket	Silicone Rubber	

#### Packing

Single or 100

#### Related Document

Mounting Dimension MD16