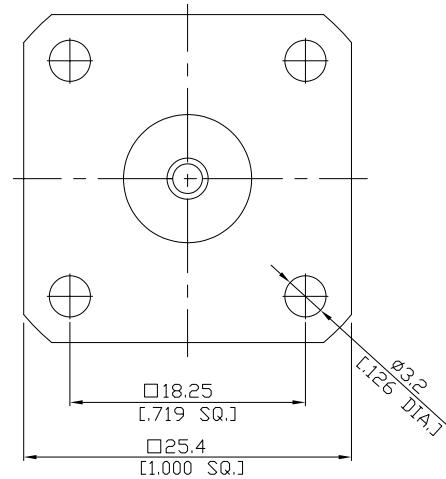
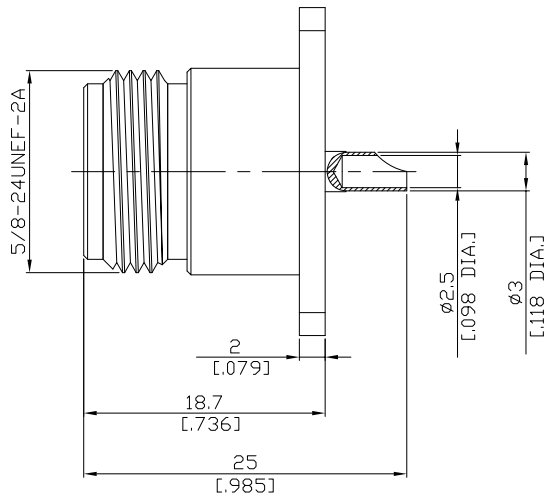


N Straight Panel Receptacle Jack
(Solder End)

N2GFB50-2500C/H3



All dimensions are in mm [inch]
Tolerances according to DIN ISO 2768-mH

Interface

According to IEC 61169-16; CECC 22210; MIL-C-39012; MIL-STD-348A/304

Electrical Data

| | |
|---------------------------------|----------------------------------|
| Impedance | 50 Ω |
| Frequency | DC to 11 GHz |
| Volt rating | ≤ 1000 V rms (@ sea level) |
| Corona, 70,000 ft | ≥ 500 V rms |
| Dielectric withstanding voltage | ≥ 2500 V rms (@ sea level) |
| Center contact resistance | ≤ 1.0 Milliohms |
| Outer contact resistance | ≤ 0.2 Milliohms |
| RF high potential | ≥ 1500 V rms (5 MHz @ sea level) |
| Insulation resistance | ≥ 5000 Megaohms |

Mechanical Data

| | |
|-----------------------------------|------------|
| Coupling mechanisms | Screw-lock |
| Weight | N/A |
| Mating - insertion | ≤ 2 lbs |
| Mating - withdrawal | ≥ 2 oz |
| Force to engage-disengage | ≤ 3 in-lbs |
| Axial center contact captivation | 6 lbs |
| Radial center contact captivation | 4 in-oz |

**N Straight Panel Receptacle Jack
(Solder End)**

N2GFB50-2500C/H3

Environmental Data

| | |
|---------------------|---|
| Temperature range | -65°C to +125°C |
| RoHS | compliant |
| Thermal shock | MIL-STD-202, Meth. 107, Cond. B |
| Corrosion | MIL-STD-202, Meth. 101, Cond. B (excl. high temperatures (+115 °C)) |
| Vibration | MIL-STD-202, Meth. 204, Cond. B |
| Shock | MIL-STD-202, Meth. 213, Cond. I |
| Moisture resistance | MIL-STD-202, Meth. 106 |

Material And Plating

| Piece Parts | Material | Plating |
|----------------|-----------------|----------------------------------|
| Centre contact | Phosphor Bronze | Gold plating(Nickel underplated) |
| Body | Brass | Nickel |
| Insulator | PTFE | |

Packing

Single or 100

Related Document

| | |
|--------------------|------|
| Mounting Dimension | MD73 |
|--------------------|------|