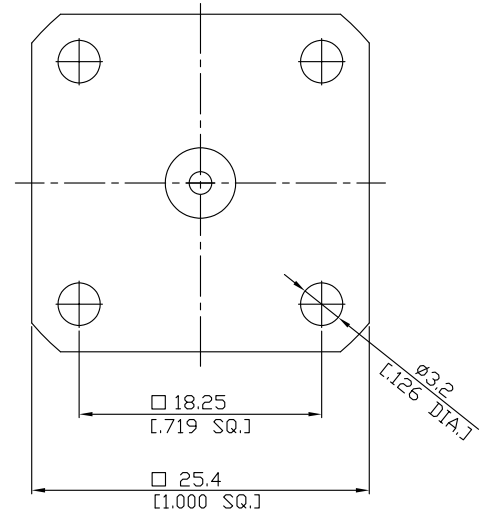
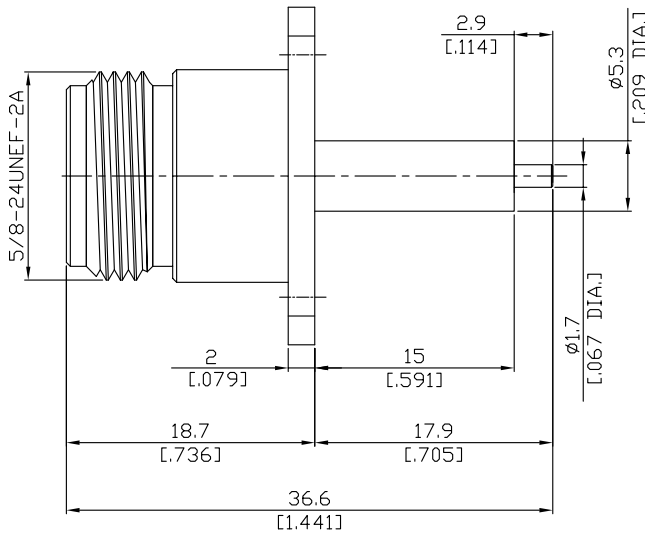


N Straight Panel Receptacle Jack  
(Coaxial End)

N2GFA50-3660C/9X



All dimensions are in mm [inch]

Tolerances according to DIN ISO 2768-mH

**Interface**

According to IEC 61169-16; CECC 22210; MIL-C-39012; MIL-STD-348A/304

**Electrical Data**

Impedance 50 Ω  
Frequency DC to 11 GHz

**Mechanical Data**

Coupling mechanisms Screw-lock  
Weight N/A

**Environmental Data**

Temperature range -65°C to +165°C  
RoHS compliant

**Material And Plating**

Piece Parts	Material	Plating
Centre contact	Beryllium Copper	Gold plating(Nickel underplated)
Body	Stainless Steel	Passivated
Insulator	PTFE	

**Packing**

Single or 100

**Related Document**

Mounting Dimension MD157