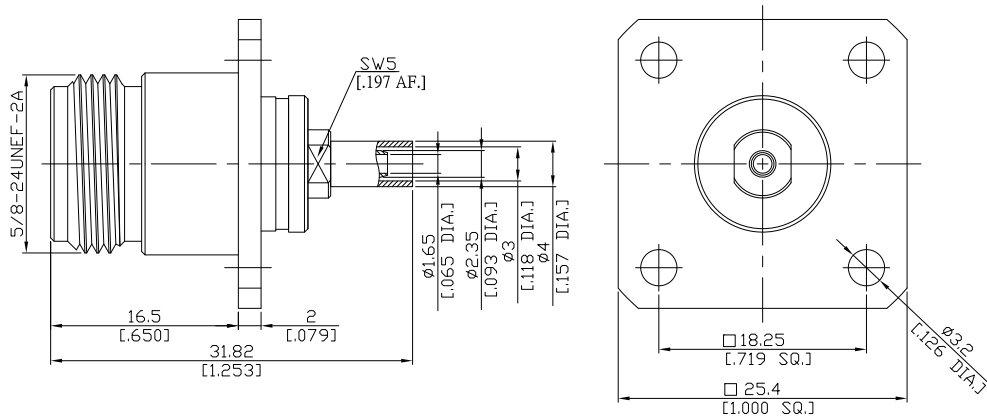


**N Straight 4 Hole Panel Flange  
Cable Jack**

**N2CBF50-G316A/H4**



All dimensions are in mm [inch]  
Tolerances according to DIN ISO 2768-mH

**Interface**

According to IEC 60169-16; MIL-C-39012; MIL-STD-348A/304

**Electrical Data**

Impedance 50 Ω  
Interface frequency DC to 18 GHz  
VSWR (Return Loss) ≤ 1.22 (≥ 20.1dB)  
Insertion Loss ≤ 0.05 dB

- Limitations are possible due to the used cable type -

**Mechanical Data**

Coupling mechanisms Screw-lock  
Centre contact Soldered or Crimped  
Cable entry Crimped

**Environmental Data**

Temperature range -65°C to +165°C  
RoHS compliant

**Material And Plating**

Connector parts	Material	Plating
Centre contact	Phosphor Bronze	Gold plating(Nickel underplated)
Body	Brass	Copper-Tin-Zinc Alloy
Insulator	PTFE	
Gasket	Silicone Rubber	
Crimp ferrules	Brass	Copper-Tin-Zinc Alloy

**Suitable Cables**

RG-174, RG-188A, RG-316, Belden 7805

**Packing**

Single or 100

**Related Document**

Mounting Dimension MD16