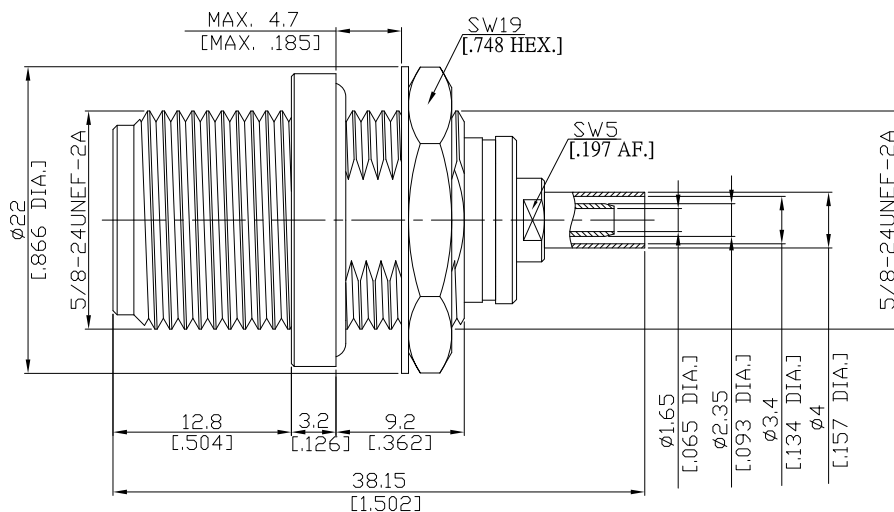


N Straight Bulkhead Cable Jack

N2CA50-D316B/H4



All dimensions are in mm [inch]

Tolerances according to DIN ISO 2768-mH

Interface

According to IEC 61169-16; CECC 22210; MIL-C-39012; MIL-STD-348A/304

Electrical Data

Impedance	50 Ω
Frequency	DC to 11 GHz
VSWR (Return Loss)	≤ 1.15 (≥ 23.1 dB)
Insertion Loss	≤ 0.05
Working voltage (at sea level)	900 V rms

- Limitations are possible due to the used cable type and manufacturing process -

Mechanical Data

Coupling mechanisms	Screw-lock
Centre contact	Soldered
Cable entry	Crimped

Environmental Data

Temperature range	-65°C to +165°C
RoHS	compliant

Material And Plating

Connector parts	Material	Plating
Centre contact	Phosphor Bronze	Gold plating(Nickel underplated)
Body	Brass	Copper-Tin-Zinc Alloy
Insulator	PTFE	
Gasket	Silicone Rubber	
Crimp ferrules	Brass	Copper-Tin-Zinc Alloy
Fastening nut	Brass	Copper-Tin-Zinc Alloy
Washer	Brass	Copper-Tin-Zinc Alloy

Suitable Cables

RG 316-d, RG 188

Packing

Single or 100

Related Document

Mounting Dimension MD5