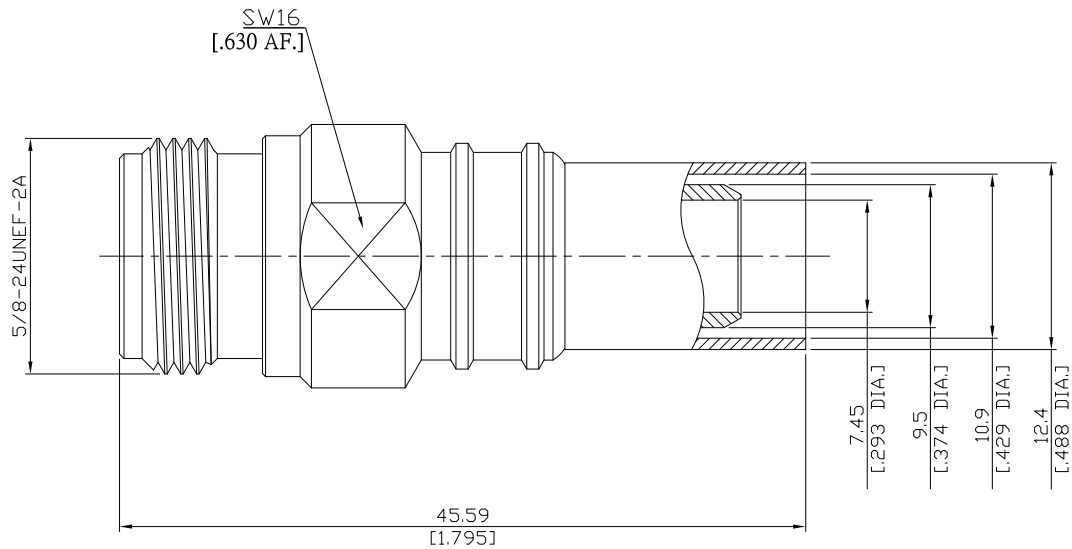




N Straight Cable Jack

N2C50-EZR400A/H4



All dimensions are in mm [inch]
Tolerances according to DIN ISO 2768-mH

Interface

According to MIL-C-39012; MIL-STD-348A/304

Electrical Data

Impedance 50 Ω
Frequency DC to 8 GHz
VSWR (Return Loss) ≤ 1.25 (≥ 19.08 dB)
Insertion Loss ≤ 0.05 x √F (GHz) dB

- Limitations are possible due to the used cable type and manufacturing process -

Mechanical Data

Coupling mechanisms Screw-lock
Centre contact Plug-in
Cable entry Crimped

Environmental Data

Temperature range -65°C to +165°C
RoHS compliant

Material And Plating

Connector parts	Material	Plating
Centre contact	Phosphor Bronze	Gold plating(Nickel underplated)
Body	Brass	Copper-Tin-Zinc Alloy
Insulator	PTFE	
Crimp ferrules	Brass	Copper-Tin-Zinc Alloy

Suitable Cables

LMR 400, RNL-400, BELDEN 7810A, BELDEN 8214, BELDEN 9913

Packing

Single or 100