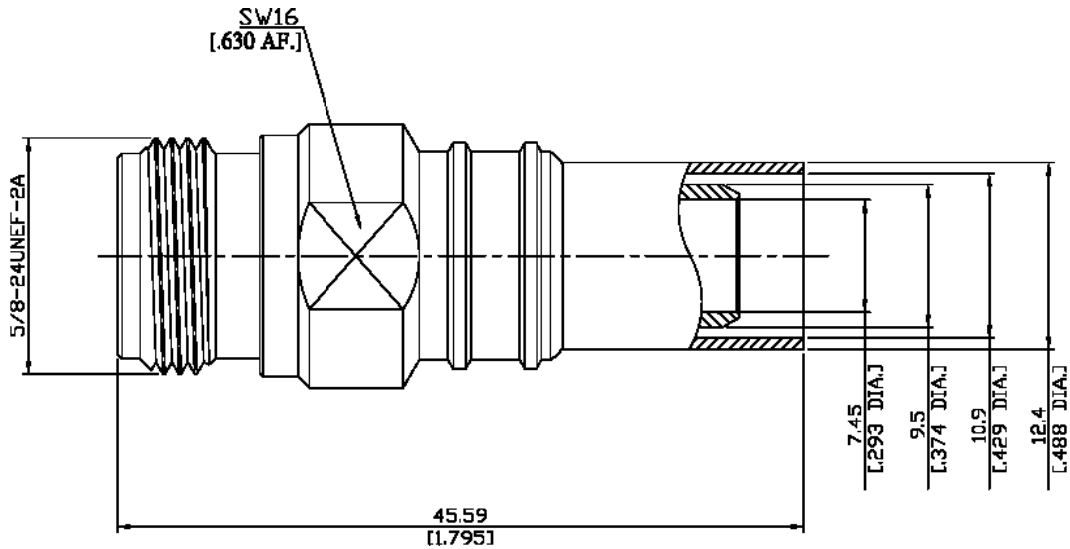




N Straight Cable Jack

N2C50-EZR400A/13



All dimensions are in mm [inch]  
Tolerances according to DIN ISO 2768-mH

**Interface**

According to MIL-C-39012; MIL-STD-348A/304

**Electrical Data**

Impedance 50 Ω  
Frequency DC to 8 GHz  
VSWR (Return Loss) ≤ 1.25 (≥ 19.08 dB)  
Insertion Loss ≤ 0.05 x √F (GHz) dB

- Limitations are possible due to the used cable type -

**Mechanical Data**

Coupling mechanisms Screw-lock  
Centre contact Plug-in  
Cable entry Crimped

**Environmental Data**

Temperature range -65°C to +165°C  
RoHS compliant

**Material And Plating**

Connector parts	Material	Plating
Centre contact	Brass	Gold plating(Nickel underplated)
Body	Brass	Nickel
Insulator	PTFE	
Crimp ferrules	Brass	Nickel

**Suitable Cables**

LMR 400, RNL-400, BELDEN 7810A, BELDEN 8214, BELDEN 9913

**Packing**

Single or 100