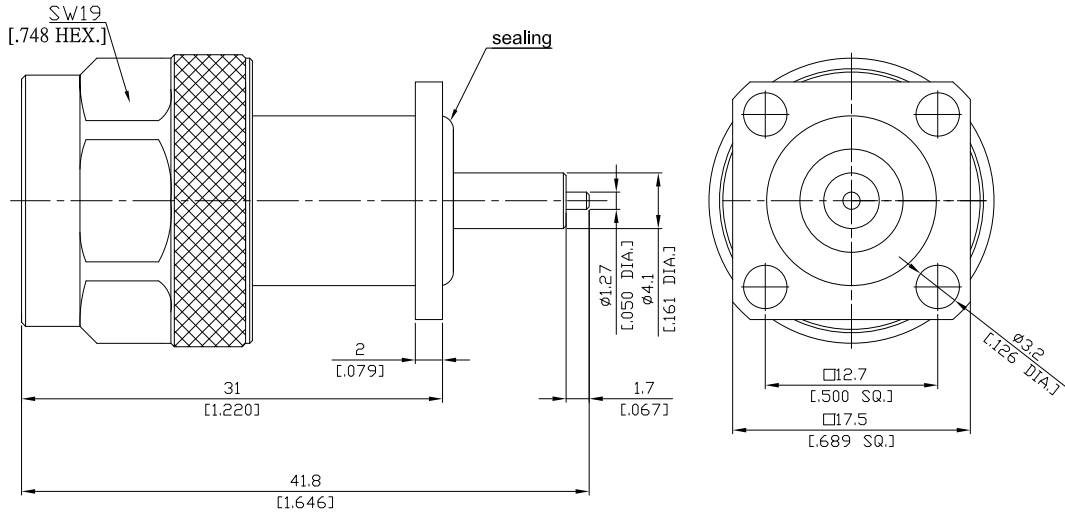


N Straight Panel Receptacle Plug (Coaxial End)

N1GFA50-4180A/144



All dimensions are in mm [inch]

Tolerances according to DIN ISO 2768-mH

Interface

According to MIL-C-39012;MIL-STD-348A/304

Electrical Data

Impedance 50 Ω
Frequency DC to 11 GHz

Mechanical Data

Coupling mechanisms Screw-lock
Weight 0.0340 kg

Environmental Data

Temperature range -65°C to +165°C
RoHS compliant

Material And Plating

Piece Parts	Material	Plating
Centre contact	Brass	Gold plating(Nickel underplated)
Body	Brass	Copper-Tin-Zinc Alloy
Insulator	PTFE	
Gasket	Silicone Rubber	
Coupling nut	Brass	Copper-Tin-Zinc Alloy

Packing

Single or 100

Related Document

Mounting Dimension MD66

The facts and figures herein are carefully compiled to the best of our knowledge, but they are intended for general informational purposes only. In the effort to improve our products, we reserve the right to make changes judged to be necessary.

Rev.: Rosnol RF/Microwave Technology
www.rosnol.com ; info@rosnol.com
Date: 19/11/10
Phone:+886-3-463-5095
Fax:+886-3-463-5952

Page

1/1