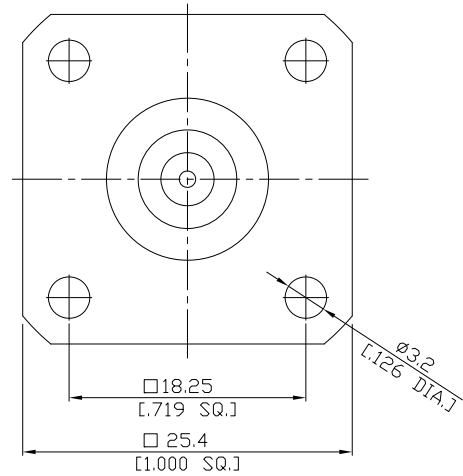
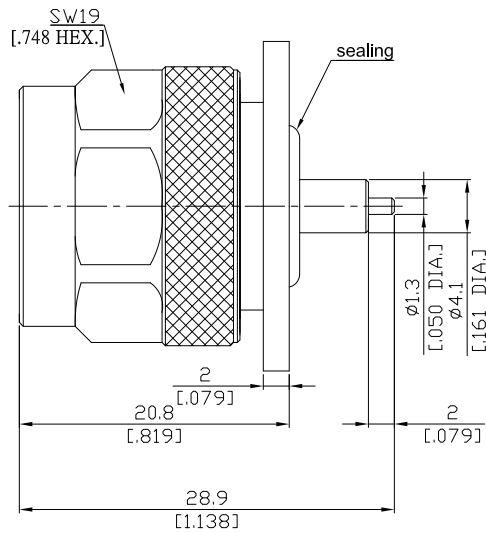


**N Straight Panel Receptacle Plug  
(Coaxial End)**
**N1GFA50-2890A/144**


All dimensions are in mm [inch]  
Tolerances according to DIN ISO 2768-mH

**Interface**  
According to MIL-C-39012; MIL-STD-348A/304

**Electrical Data**  
Impedance 50 Ω  
Frequency DC to 11 GHz

**Mechanical Data**  
Coupling mechanisms Screw-lock  
Weight 0.0363 kg

**Environmental Data**  
Temperature range -65°C to +165°C  
RoHS compliant

Material And Plating		
Piece Parts	Material	Plating
Centre contact	Brass	Gold plating(Nickel underplated)
Body	Brass	Copper-Tin-Zinc Alloy
Insulator	PTFE	
Gasket	Silicone Rubber	
Coupling nut	Brass	Copper-Tin-Zinc Alloy

**Packing**  
Single or 100

**Related Document**  
Mounting Dimension MD70