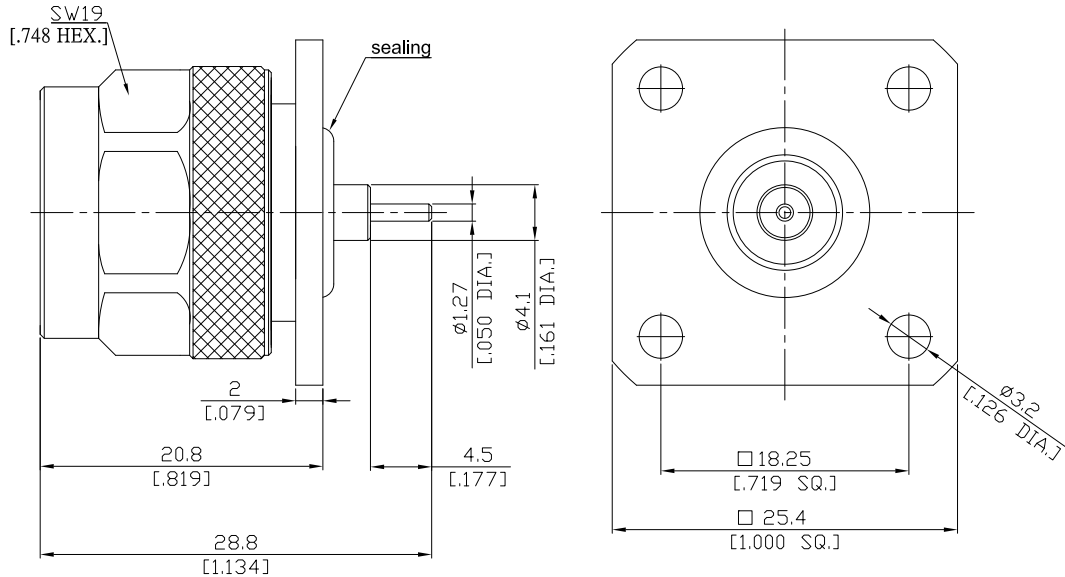


**N Straight Panel Receptacle Plug  
(Coaxial End)**
**N1GFA50-2880A/144**


All dimensions are in mm [inch]

Tolerances according to DIN ISO 2768-mH

**Interface**

According to MIL-C-39012;MIL-STD-348A/304

**Electrical Data**

 Impedance 50  $\Omega$   
 Frequency DC to 11 GHz

**Mechanical Data**

 Coupling mechanisms Screw-lock  
 Weight 0.0353 kg

**Environmental Data**

 Temperature range -65°C to +165°C  
 RoHS compliant

**Material And Plating**

Piece Parts	Material	Plating
Centre contact	Brass	Gold plating(Nickel underplated)
Body	Brass	Copper-Tin-Zinc Alloy
Insulator	PTFE	
Gasket	Silicone Rubber	
Coupling nut	Brass	Copper-Tin-Zinc Alloy

**Packing**

Single or 100

**Related Document**

Mounting Dimension MD70

The facts and figures herein are carefully compiled to the best of our knowledge, but they are intended for general informational purposes only. In the effort to improve our products, we reserve the right to make changes judged to be necessary.

Rev.:-	Rosnol RF/Microwave Technology www.rosnol.com ; info@rosnol.com
Date:	Phone:+886-3-463-5095 Fax:+886-3-463-5952
19/11/10	

Page

1/1