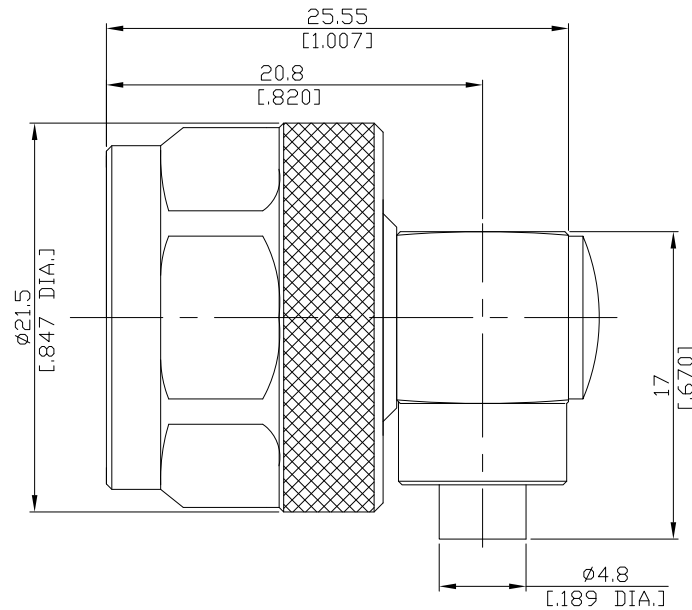


N Right Angle Cable Plug

N1E59-0141A/144



All dimensions are in mm [inch]

Tolerances according to DIN ISO 2768-mH

Interface

According to IEC 60169-16; CECC 22210; MIL-C-39012; MIL-STD-348A/304

Electrical Data

Impedance 50 Ω
 Frequency DC to 11 GHz
 VSWR (Return Loss) ≤ 1.15 (≥ 23.1 dB)
 Insertion Loss ≤ 0.05
 Working voltage (at sea level) 1400 V rms

- Limitations are possible due to the used cable type and manufacturing process -

Mechanical Data

Coupling mechanisms Screw-lock
 Centre contact Soldered
 Cable entry Soldered

Environmental Data

Temperature range -65°C to +165°C
 RoHS compliant

Material And Plating

Connector parts	Material	Plating
Centre contact	Brass	Gold plating(Nickel underplated)
Body	Brass	Copper-Tin-Zinc Alloy
Insulator	PTFE	
Gasket	Silicone Rubber	
Coupling nut	Brass	Copper-Tin-Zinc Alloy

Suitable Cables

RSR-141, RSF-141, RSF-141-FEP, RSF-141-PVC, RF-402, Belden 1673A, Belden 1673J

Packing

Single or 100