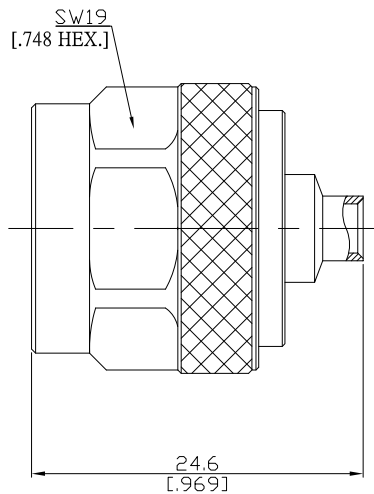




N(Male) Straight Cable Plug

N1E50-0085A/113



All dimensions are in mm [inch]

Tolerances according to DIN ISO 2768-mH

**Interface**

According to IEC 60169-16; MIL-STD-348A/304

**Electrical Data**

Impedance 50 Ω  
 Frequency DC to 12 GHz  
 VSWR (Return Loss) ≤ 1.20 (≥ 20.83 dB)  
 Insertion Loss ≤ 0.05  
 Working voltage (at sea level) 500 V rms  
*- Limitations are possible due to the used cable type and manufacturing method -*

**Mechanical Data**

Coupling mechanisms Screw-lock  
 Centre contact Soldered  
 Cable entry Soldered

**Environmental Data**

Temperature range -65°C to +165°C  
 RoHS compliant

**Material And Plating**

Connector parts	Material	Plating
Centre contact	Brass	Gold plating(Nickel underplated)
Body	Brass	Gold plating(Nickel underplated)
Insulator	PTFE	
Gasket	Silicone Rubber	
Coupling nut	Brass	Nickel

**Suitable Cables**

RSR-085, RSF-085, RSF-085-FEP, UT 85, RG 405/U, RTK- FS 085, RTK- Flex 405, BELDEN 1671A

**Packing**

Single or 100