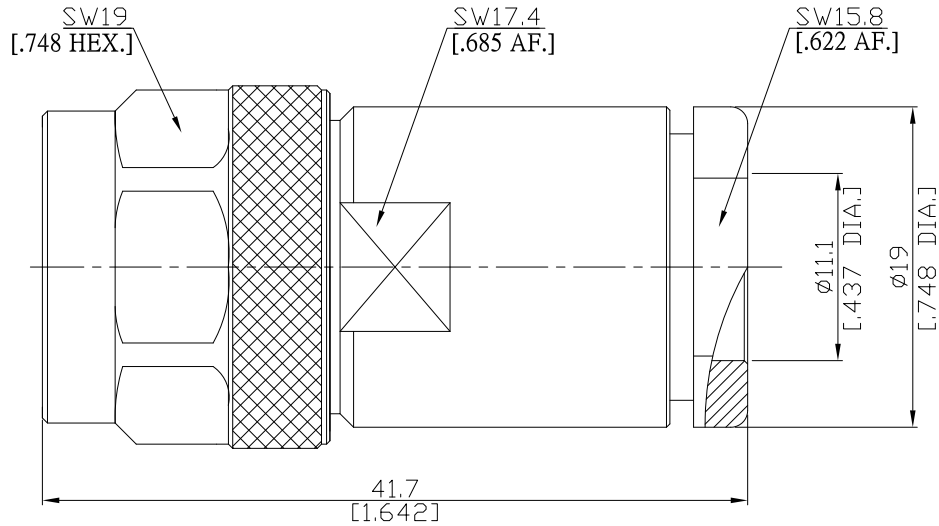


N (Male) Straight Cable Plug

N1D50-R400B/144



All dimensions are in mm [inch]

Tolerances according to DIN ISO 2768-mH

**Interface**

According to IEC 61169-16; MIL-STD-348A/304

**Electrical Data**

Impedance 50 Ω  
 Frequency DC to 6 GHz  
 VSWR (Return Loss) ≤1.30 (≥ 17.69 dB)

- Limitations are possible due to the used cable type and manufacturing process -

**Mechanical Data**

Coupling mechanisms Screw-lock  
 Centre contact Soldered  
 Cable entry Clamped

**Environmental Data**

Temperature range -65°C to +165°C  
 RoHS compliant

**Material And Plating**

Connector parts	Material	Plating
Centre contact	Brass	Gold plating (Nickel underplating)
Body	Brass	Copper-Tin-Zinc Alloy
Insulator	PTFE	
Gasket	Silicone Rubber	
Coupling nut	Brass	Copper-Tin-Zinc Alloy
Clamp nut	Brass	Copper-Tin-Zinc Alloy

**Suitable Cables**

LMR 400, Belden 7810A, Belden 8214, Belden 9913

**Packing**

Single or 100