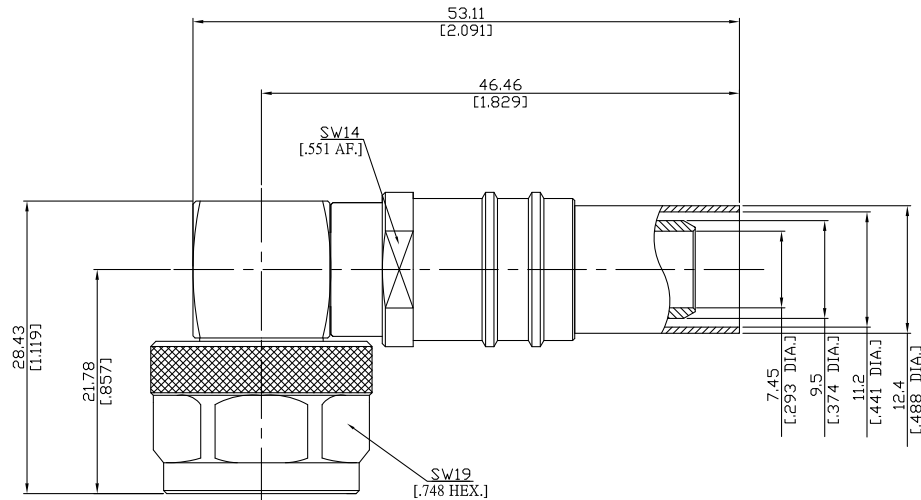


N Right Angle Cable Plug

N1C59-G214A/144



All dimensions are in mm [inch]
Tolerances according to DIN ISO 2768-mH

Interface

According to IEC 60169-16; MIL-C-39012; MIL-STD-348A/304

Electrical Data

Impedance 50 Ω
Frequency DC to 6 GHz
VSWR (Return Loss) ≤ 1.30 (≥ 17.7 dB)
Insertion Loss ≤ 0.05 x √F (GHz) dB

- Limitations are possible due to the used cable type and manufacturing method -

Mechanical Data

Coupling mechanisms Screw-lock
Centre contact Plug-in
Cable entry Crimped

Environmental Data

Temperature range -65°C to +165°C
RoHS compliant

Material And Plating

Connector parts	Material	Plating
Centre contact	Brass	Gold plating (Nickel underplated)
Body	Brass	Copper-Tin-Zinc Alloy
Insulator	PTFE	
Gasket	Silicone Rubber	
Coupling nut	Brass	Copper-Tin-Zinc Alloy
Crimp ferrules	Brass	Copper-Tin-Zinc Alloy

Suitable Cables

RG-214, RG-225, RG-393

Packing

Single or 100