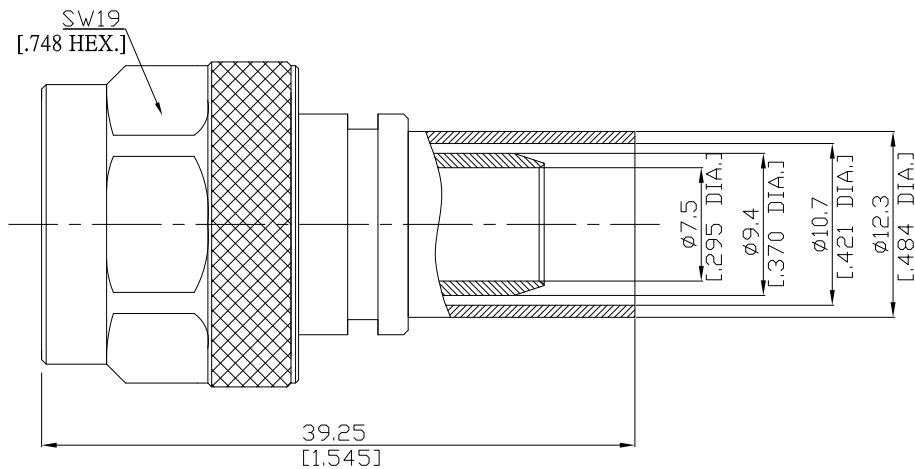


N Straight Cable Plug

N1C50-G008A/144



All dimensions are in mm [inch]
Tolerances according to DIN ISO 2768-mH

Interface

According to IEC 60169-16; MIL-C-39012; MIL-STD-348A/304

Electrical Data

Impedance 50 Ω
Frequency DC to 11 GHz
VSWR (Return Loss) ≤ 1.15 (≥ 23.1 dB)
Insertion Loss ≤ 0.05
Working voltage (at sea level) 300 V rms

- Limitations are possible due to the used cable type -

Mechanical Data

Coupling mechanisms Screw-lock
Centre contact Soldered or Crimped
Cable entry Crimped

Environmental Data

Temperature range -65°C to +165°C
RoHS compliant

Material And Plating

| Connector parts | Material | Plating |
|-----------------|-----------------|----------------------------------|
| Centre contact | Brass | Gold plating(Nickel underplated) |
| Body | Brass | Copper-Tin-Zinc Alloy |
| Insulator | PTFE | |
| Gasket | Silicone Rubber | |
| Coupling nut | Brass | Copper-Tin-Zinc Alloy |
| Crimp ferrules | Brass | Copper-Tin-Zinc Alloy |

Suitable Cables

RG-8, RG-8A, RG-9, RG-87A, RG-215

Packing

Single or 100