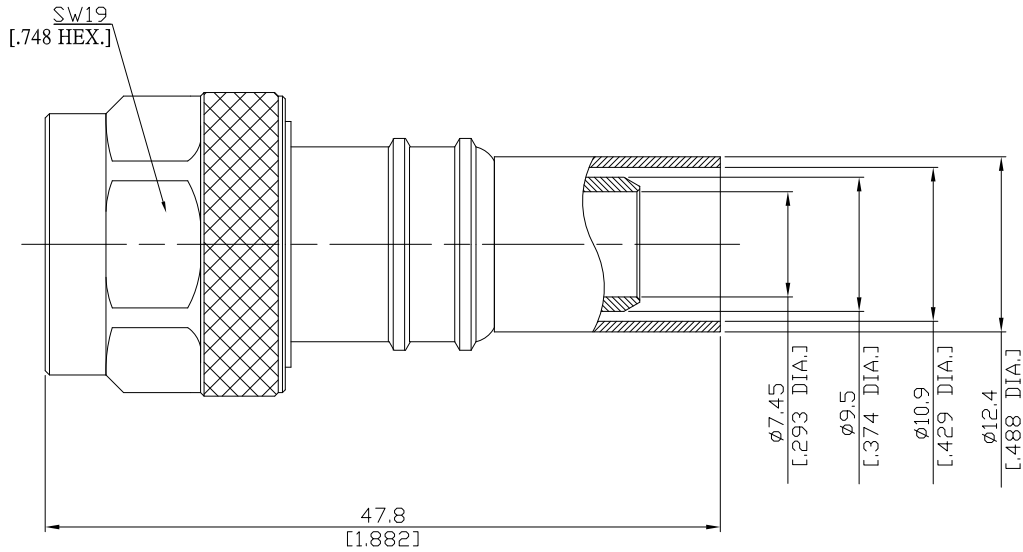


N(Male) Straight Cable Plug

N1C50-EZR400A/944



All dimensions are in mm [inch]
Tolerances according to DIN ISO 2768-mH

Interface

According to IEC 61169-16; MIL-STD-348A/304

Electrical Data

Impedance 50 Ω
Frequency DC to 8 GHz
VSWR (Return Loss) ≤ 1.25 (≥ 19.08 dB)
Insertion Loss ≤ 0.05 x √F (GHz) dB

- Limitations are possible due to the used cable type and manufacturing process -

Mechanical Data

Coupling mechanisms Screw-lock
Centre contact Plug-in
Cable entry Crimped

Environmental Data

Temperature range -65°C to +165°C
RoHS compliant

Material And Plating

Connector parts	Material	Plating
Centre contact	Beryllium Copper	Gold plating(Nickel underplated)
Body	Brass	Copper-Tin-Zinc Alloy
Insulator	PTFE	
Gasket	Silicone Rubber	
Coupling nut	Brass	Copper-Tin-Zinc Alloy
Crimp ferrules	Brass	Copper-Tin-Zinc Alloy

Suitable Cables

LMR400, RNL-400, Belden 7810A, Belden 8214, Belden 9913

* It is necessary to apply liquid tin to the center conductor before plugging it in.

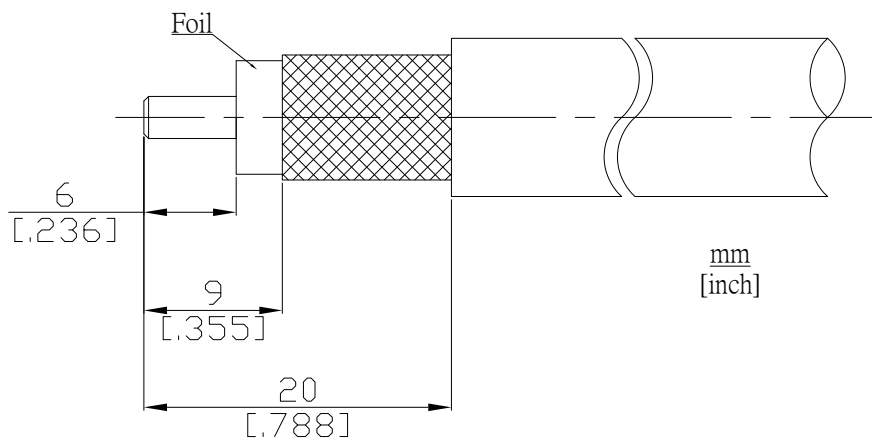
Packing

Single or 100

N(Male) Straight Cable Plug

N1C50-EZR400A/944

Recommended Cable Stripping Dimensions



Please note: It is necessary to apply liquid tin to stranded center conductors before plugging them into the connector.

Crimp Dimensions [HEX]

Crimp ferrule 10.90 mm [.429 inch]