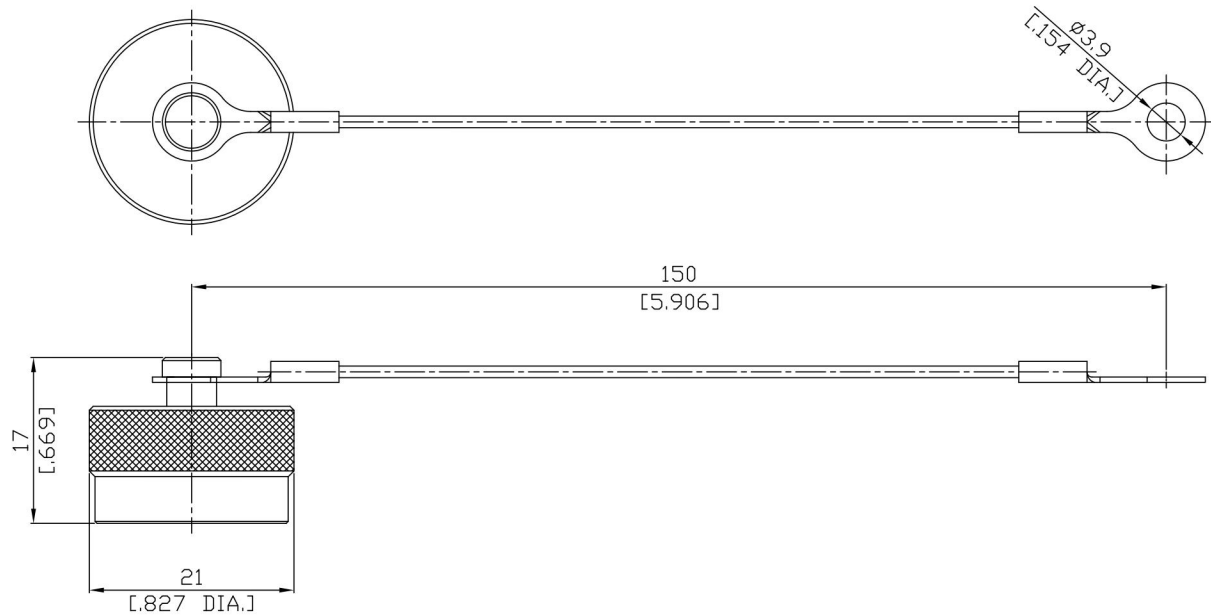


N Straight Protective Cap With
Wire Rope Chain Plug

N1A00-1700B-150/-X



All dimensions are in mm [inch]
Tolerances according to DIN ISO 2768-mH

Mechanical Data

Coupling mechanisms Screw-lock
Weight N/A

Environmental Data

Temperature range -65°C to +165°C
RoHS compliant

Material And Plating

Connector parts	Material	Plating
Gasket	Silicone Rubber	
Coupling nut	Stainless Steel	Passivated
Chain	Stainless Steel	

Packing

Single or 100