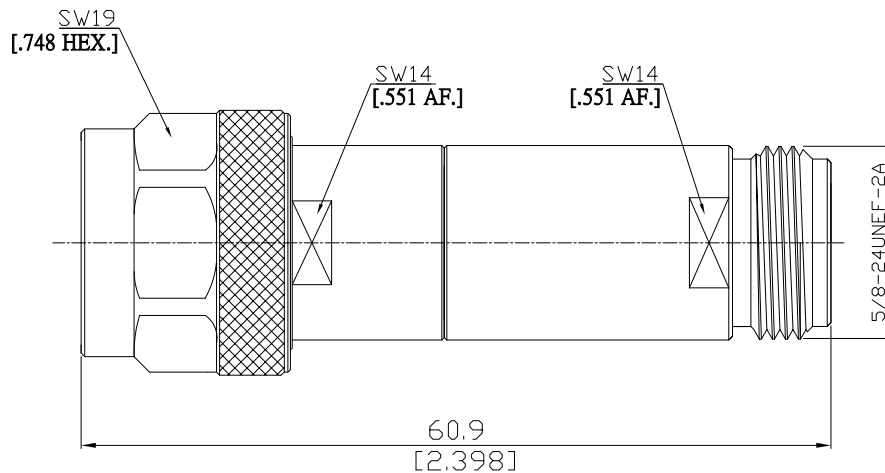


Impedance Matching Pads plug/jack  
N 75Ω plug (male) / N 50Ω jack (female)

MP-N17N25A-2G/144-H4



All dimensions are in mm [inch]

Tolerances according to DIN ISO 2768-mH

### Interface

According to IEC 61169-16; MIL-STD-348A/304

### Electrical Data

Impedance	N 75 Ω Plug / N 50 Ω Jack	
Interface frequency max.	DC to 2 GHz	
Frequency range sub-section	DC to 0.5 GHz	0.5 to 1 GHz
VSWR (Return loss) 50 Ω	≤ 1.15 (≥ 23.13 dB)	≤ 1.25 (≥ 19.08 dB)
75 Ω	≤ 1.15 (≥ 23.13 dB)	≤ 1.25 (≥ 19.08 dB)
Insertion loss 50 Ω to 75 Ω	≤ 5.7 dB	
75 Ω to 50 Ω	≤ 5.7 dB	
Avg. power rating (W)	0.7 W (@ 40 °C; linearly decreasing to 0 W @ 125 °C)	

### Mechanical Data

Coupling mechanisms	Screw-lock
Weight	0.0526 kg

### Environmental Data

Temperature range	-55°C to +125°C
RoHS	compliant

### Material And Plating

Piece Parts (N)	Material	Plating
Centre contact	Brass	Gold plating(Nickel underplated)
Body	Brass	Copper-Tin-Zinc Alloy
Insulator	PTFE	
Gasket	Silicone Rubber	
Coupling nut	Brass	Copper-Tin-Zinc Alloy

Piece Parts (N)	Material	Plating
Centre contact	Phosphor Bronze	Gold plating(Nickel underplated)
Body	Brass	Copper-Tin-Zinc Alloy
Insulator	PTFE	

### Packing

Single or 100