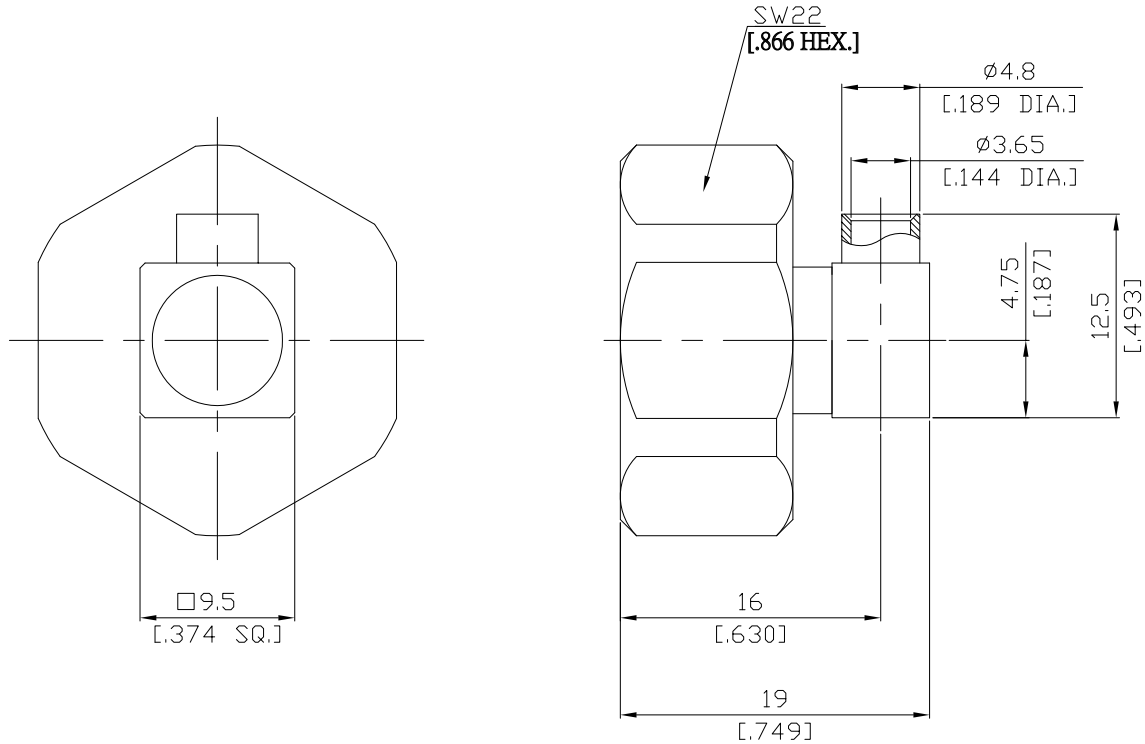


4.1-9.5 Plug (Male) Right Angle Connector Solder Attachment for .141, RG402, SS402, Rosnol RSR-141, RSF-141, EF402 Cable, DC-6GHz VSWR 1.20

MD1E59-0141A / 144



All dimensions are in mm [inch]
Tolerances according to DIN ISO 2768-mH

Interface

According to IEC 60169-11

Electrical Data

Impedance	50 Ω
Frequency	DC to 6 GHz
VSWR (Return Loss)	≤ 1.20 (≥ 20.83 dB)
Insertion Loss	≤ 0.05 × √F (GHz) dB
Insulation Resistance	≥ 5 GΩ
Center Contact Resistance	≤ 1.5 mΩ
Outer Contact Resistance	≤ 1 mΩ
Test Voltage (at sea level)	2500 V rms
Working Voltage (at sea level)	500 V rms
Power Handling (at 20 °C, sea level, VSWR 1.0)	≤ 500 W @ 2 GHz
Intermodulation (3 rd order)	≥ 160 dBc (2 x 43 dBm)

- Limitations are possible due to the used cable type -

Material And Plating

Piece Parts	Material	Plating
Centre Contact	Brass	Gold plating, 3 μinch (Non-magnetic nickel-phosphorus underplating, 80 μinch)
Body	Brass	Copper-Tin-Zinc Alloy
Insulator	PTFE	
Gasket	Silicone Rubber	
Coupling Nut	Brass	Copper-Tin-Zinc Alloy

The facts and figures herein are carefully compiled to the best of our knowledge, but they are intended for general informational purposes only. In the effort to improve our products, we reserve the right to make changes judged to be necessary.

Rev.:
Date:
MAR/19/2021

Rosnol RF/Microwave Technology Co., Ltd.
www.rosnol.com; info@rosnol.com
Phone: +886-3-463-5095 / Fax: +886-3-463-5952
N-CAGE Code: SFKKO / ISO9001 Certified

Page

1/2

4.1-9.5 Plug (Male) Right Angle Connector Solder Attachment for .141, RG402, SS402, Rosnol RSR-141, RSF-141, EF402 Cable, DC-6GHz VSWR 1.20

MD1E59-0141A / 144

Mechanical Data

Coupling Mechanisms	Screw-lock
Mating Cycles	≥ 500
Center Contact Captivation: axial	> 30 N
radial	> 5 Ncm
Center Contact Retention Force	1.5 - 20 N
Recommended Torque	5 Nm
Weight	N/A

Environmental Data

Temperature Range	-65°C to +165°C
Thermal shock	IEC 61169-1, Subclause 9.4.4
Corrosion	ISO 21207 method B
Vibration	IEC 61169-1, Subclause 9.3.3
Shock	IEC 61169-1, Subclause 9.3.14
Degree of protection (mated pair)	IEC 60529, IP68 1h / 25m
RoHS	compliant

Suitable Cables

.141, RG405, SS405
Rosnol: RSR-141, RSF-141, EF402, RFX-141

Packing

Single or 100