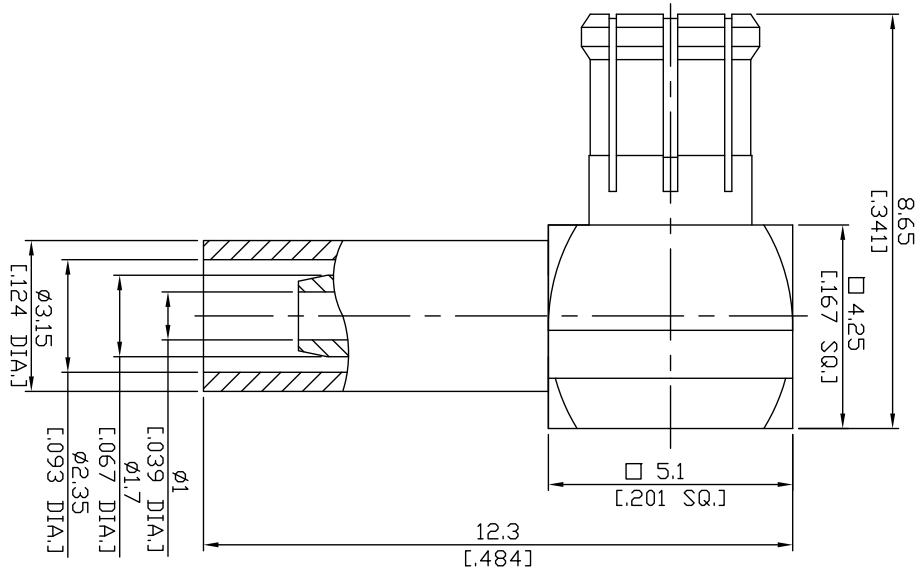


MCX Right Angle Cable Plug

MCX1C59-G178A/91



All dimensions are in mm [inch]
Tolerances according to DIN ISO 2768-mH

Interface
According to IEC 61169-36

Electrical Data
Impedance 50 Ω
Frequency DC to 6 GHz
VSWR (Return Loss) ≤ 1.22 (≥ 20dB)
Insertion Loss ≤ 0.05 dB

- Limitations are possible due to the used cable type and manufacturing process -

Mechanical Data
Coupling mechanisms Snap-lock
Centre contact Soldered
Cable entry Crimped

Environmental Data
Temperature range -55°C to +155°C
RoHS compliant

Connector parts	Material	Plating
Centre contact	Beryllium Copper	Gold plating(Nickel underplated)
Body	Brass	Gold plating(Nickel underplated)
Insulator	PTFE	
Crimp ferrules	Brass	Gold plating(Nickel underplated)

Suitable Cables
RG-178B, RG-196A

Packing
Single or 100