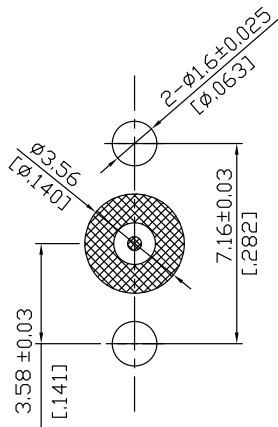


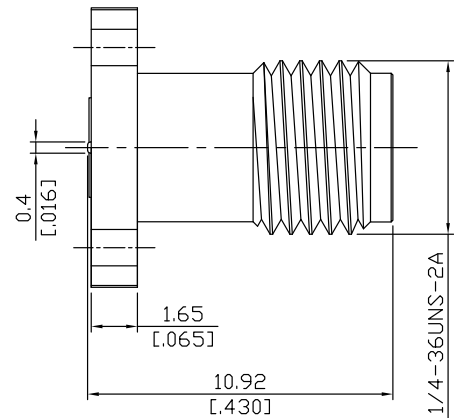
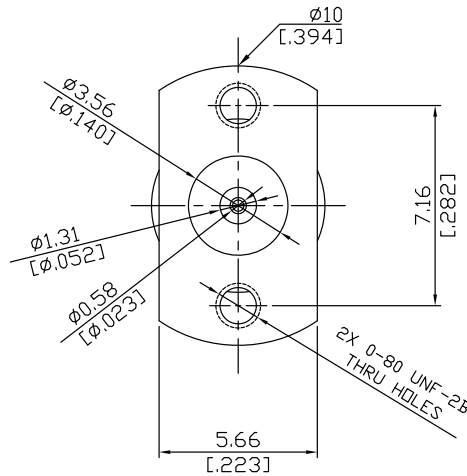


2.92mm Compression Mount For
High Speed Stripline Options Jack

K2LA50-1092A/9X



RECOMMENDED MOUNTING PATTERN



All dimensions are in mm [inch]
Tolerances according to DIN ISO 2768-mH

Interface

According to IEEE Std 287

Electrical Data

Impedance 50 Ω
Frequency DC to 40 GHz
VSWR (Return Loss) ≤ 1.35 (≥ 16.54 dB)
Insertion Loss ≤ 0.05 x √F (GHz) dB

Mechanical Data

Coupling mechanisms Screw-lock
Weight N/A

Environmental Data

Temperature range -65°C to +165°C
RoHS compliant

Material And Plating

Piece Parts	Material	Plating
Centre contact	Beryllium Copper	Gold plating(Nickel underplated)
Body	Stainless Steel	Passivated
Insulator	PEI	

Packing

Single or 100