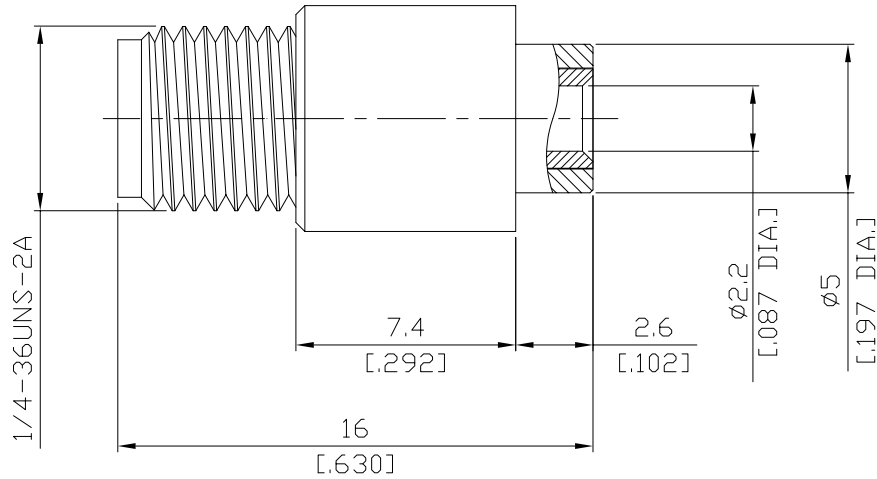


2.92mm Straight Cable Jack

K2K50-0085A/9X



All dimensions are in mm [inch]
Tolerances according to DIN ISO 2768-mH

Interface

According to IEC 61169-35; MIL-C-39012; MIL-STD-348A/323

Electrical Data

Impedance 50 Ω
Frequency DC to 40 GHz

- Digressions are possible due to the used cable type and manufacturing process -

Mechanical Data

Coupling mechanisms Screw-lock
Centre contact Plug-in
Cable entry Solder clamp

Environmental Data

Temperature range -55°C to +165°C
RoHS compliant

Material And Plating

Connector parts	Material	Plating
Centre contact	Beryllium Copper	Gold plating(Nickel underplated)
Body	Stainless Steel	Passivated
Insulator	PEI	

Suitable Cables

RSR-085, RSF-085, RSF-085-FEP, UT 85, RG 405/U, RTK- FS 085, RTK- Flex 405
BELDEN 1671A

Packing

Single or 100