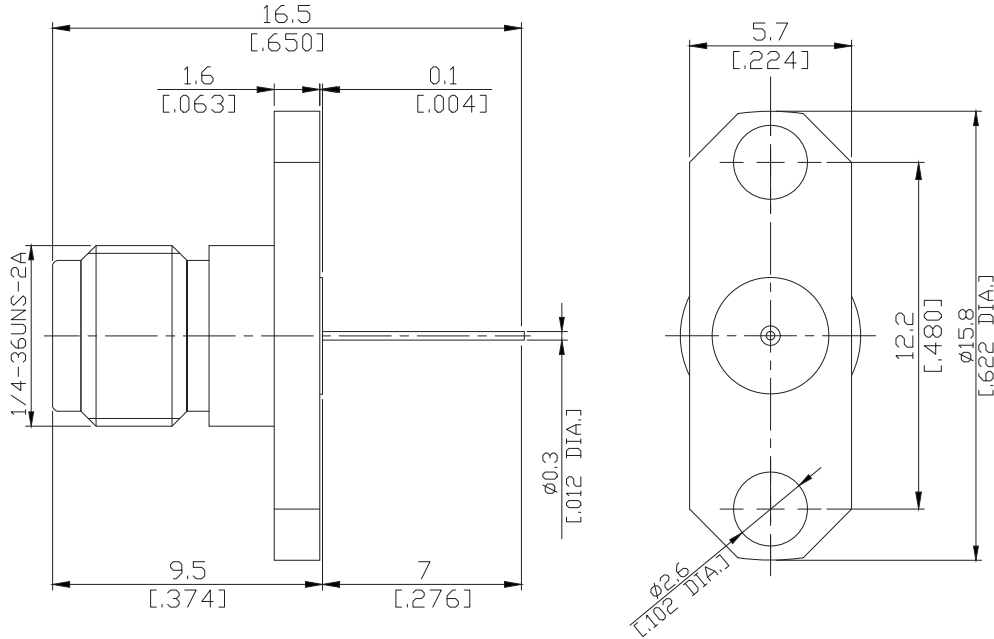


RPC2.92mm Straight 2 Hole Panel
Flange Jack

K2GTA50-1650A/9X



All dimensions are in mm [inch]

Interface

According to **MIL-STD-348A**

Electrical Data

Impedance 50 Ω
Frequency DC to 40 GHz
VSWR ≤1.15
Return loss ≥23.127dB

Mechanical Data

Coupling mechanisms Screw-lock
Weight N/A

Environmental Data

Temperature range -55°C to +165°C
RoHS compliant

Material And Plating

Piece Parts	Material	Plating
Centre contact	Beryllium Copper	Gold plating(Nickel underplated)
Body	Stainless Steel	Passivated
Insulator	PEI/PTFE	

Packing

Single or 100

Related Document

Mounting Dimension MD13