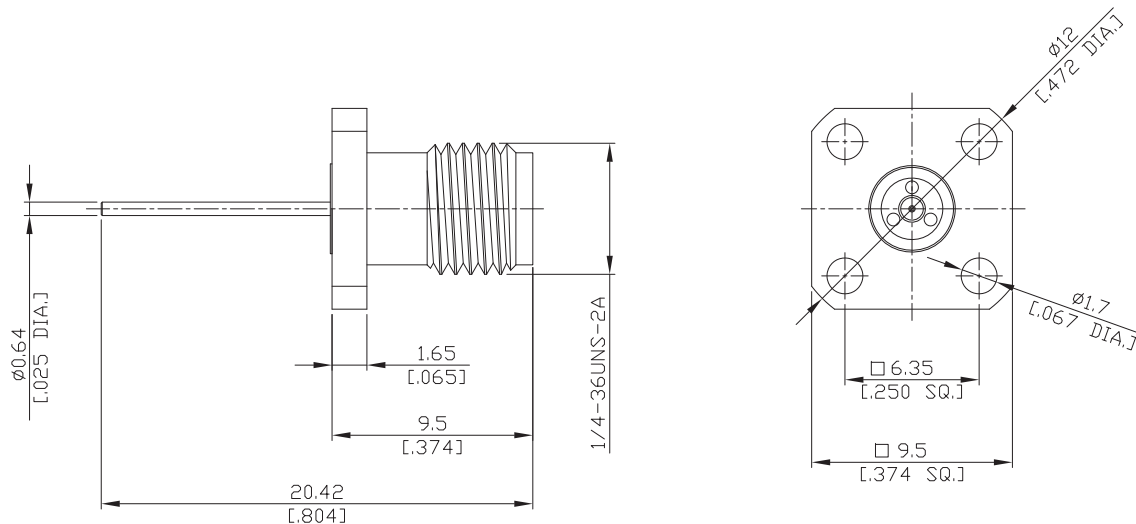


2.92mm Straight Panel Receptacle
Jack (Coaxial End)

K2GFA50-2042B/9X



All dimensions are in mm [inch]
Tolerances according to DIN ISO 2768-mH

Interface

According to IEEE Std 287

Electrical Data

Impedance 50 Ω
Frequency DC to 40 GHz
VSWR (Return loss) ≤ 1.20 (≥ 20.83 dB)
Insertion loss ≤ 0.03 x √F (GHz) dB

Mechanical Data

Coupling mechanisms Screw-lock
Weight N/A

Environmental Data

Temperature range -55°C to +100°C
RoHS compliant

Material And Plating

Piece Parts	Material	Plating
Centre contact	Beryllium Copper	Gold plating(Nickel underplated)
Body	Stainless Steel	Passivated
Insulator	PS	

Packing

Single or 100